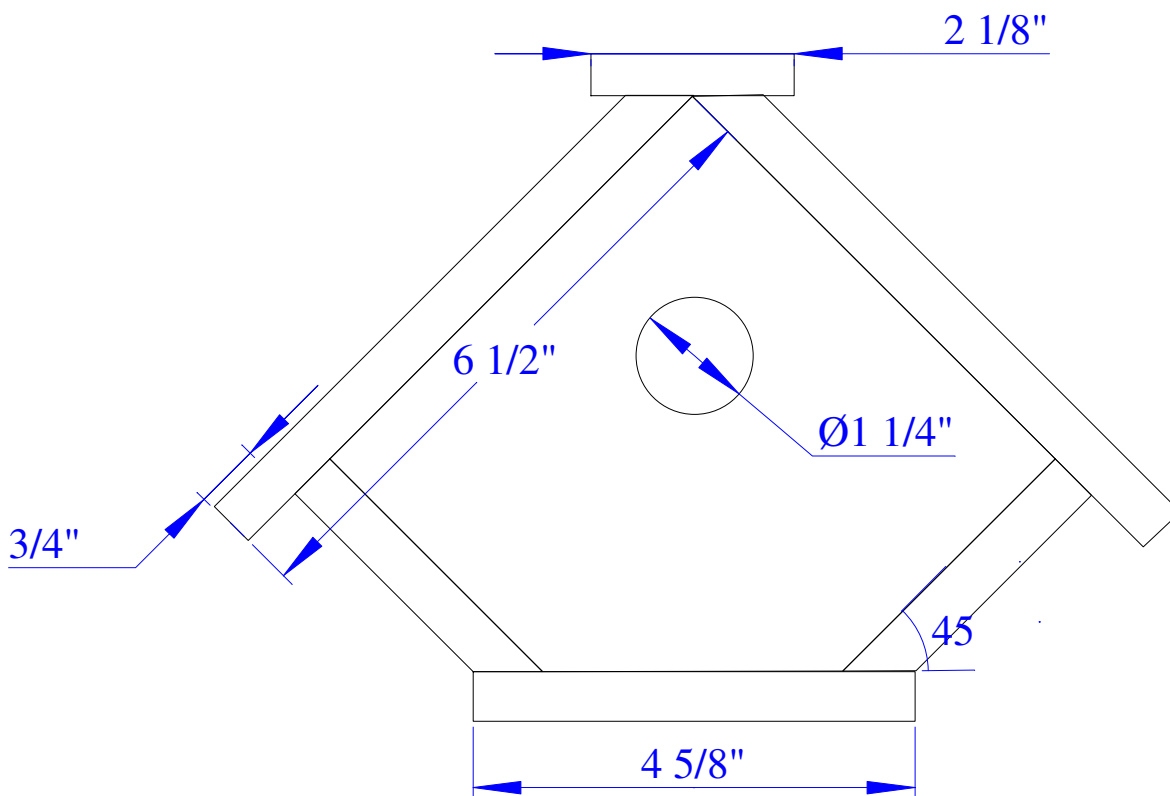
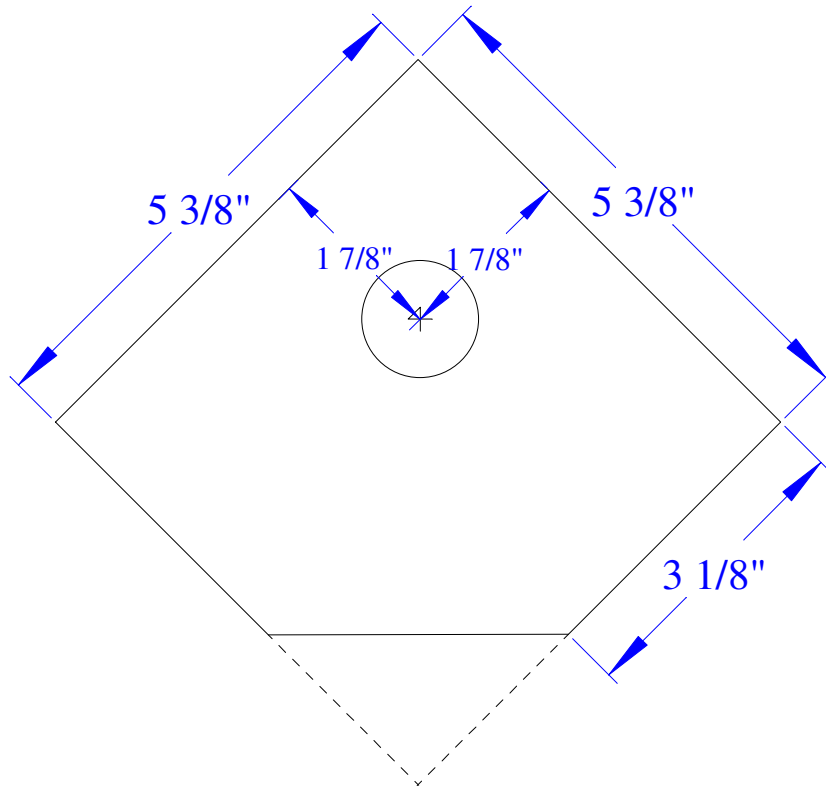


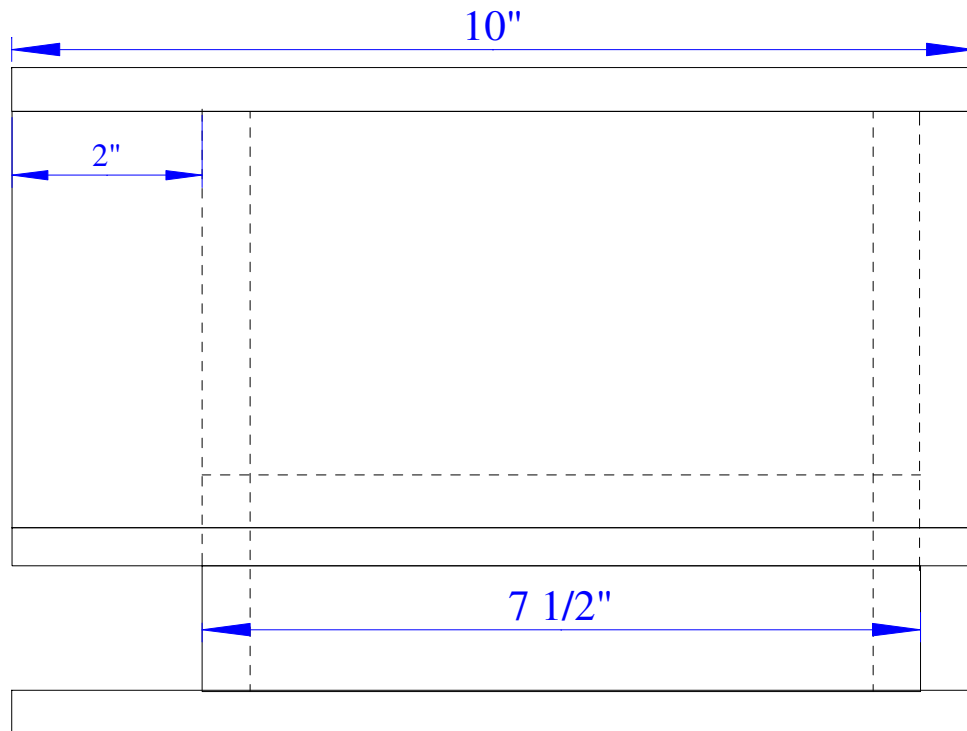


Birdhouse... real easy to make.



Be creative in your paint scheme...





All parts cut from 1/2" outdoor plywood.

All joints glued and pinned with finishing nails.