

GC University, Faisalabad
Final-Term Exam, Fall Semester-2019-20



Program: MET 2nd Semester

Marks: 100

Course: EET-353

Course Title: Electrical Technology

Semester: 2nd

Time Allowed: 60 minutes

Course Teacher: Engr. Farhan Khalid

NOTE:

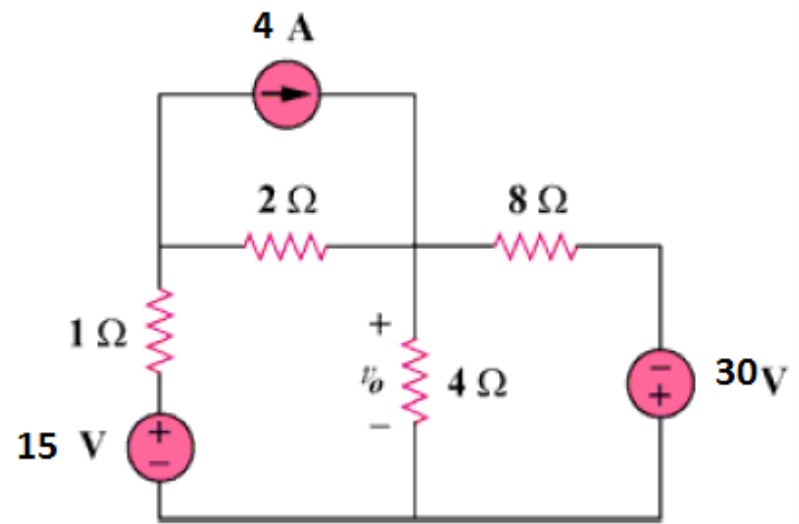
- Answer the following questions in order.
- All questions are mandatory.
- Borrowing anything or discussion with anyone is NOT allowed.

Sr NO	Question statement	
<p>Q#1</p> <p>Marks (20)</p>	<p>Find all currents (i) in the circuit,</p>	CL
<p>Q#2.</p> <p>Marks (20)</p>	<p>Obtain v_o in the circuit of Fig. 3.54.</p>	
<p>Q#3.</p> <p>Marks (20)</p>	<p>Using nodal analysis, determine V_o in the circuit in Fig. 3.61.</p>	

Q#4

Using nodal analysis, find v_o in the circuit of Fig. 3.63.

Marks
(20)



Q#5

Determine v_1 and v_2 in the circuit of Fig. 3.101.

Marks
(20)

