

5 April 2014

**Dr Eng. Jan Pająk**

**"Web pages of Jan Pająk - [telekinesis.pdf](#)"**

(i.e. a PDF brochure with the content of web page named [telekinesis.htm](#) and entitled **"Technical telekinesis for space travel and free energy"**)

Wellington, New Zealand, 2014,

ISBN 978-1-877458-69-9.

Copyright © 2014 by Dr Eng. Jan Pająk.

All rights reserved. No part of this brochure may be reproduced, stored in a database or retrieval system, transmitted, or distributed in any form or by any means, electronic, mechanical, photocopying, recording, or otherwise, without the prior written permission from the author or a person legally authorized to act on his behalf. From the obligation of getting such a written permission are only released those who would like to prepare a single copy of this monograph for their personal use oriented towards the increase of their knowledge and who fulfil the condition that they will not use the copy prepared for any professional purpose or for accomplishing material gains, and also that they copy the entire brochure - including the title page, all items, all illustrations, and all enclosures.

Date of the latest update of the web page presented in this brochure is provided above in the top-left corner. (Note that in case of having access to several copies of this brochure, it is recommended to read the copy which has the latest date of amendment.)

This PDF brochure publishes the text of the web page authored by Dr Eng. Jan Pająk, indicated in the title of it. In turn the author's web pages are forms of fast reporting to the readers results of scientific research accomplished by the author of this brochure. The author is aware, that this research, and the results, are unique, as no-one in the entire world undertook earlier research of topics elaborated in this brochure. Therefore ideas which this brochure presents are the intellectual property of the author of this brochure. All ideas, theories, inventions, discoveries, explanations, descriptions, etc., published here, which have documentary or evidential value, are presented accordingly to standards applicable for scientific publications (reports). A special attention the author has given to the requirement of repetitiveness, i.e. that on the basis of this brochure any professional scientist or hobby investigator who would like to verify, repeat, or extend the author's research should be able to recreate his work and arrive at the same or very similar results and conclusions.

This brochure is another one from a series of similar brochures in PDF, offered free of charges to interested readers through the totaliztic web page named [text 11.htm](#) - which disseminates PDF versions of most significant and most widely read web pages by the author. The topic of this brochure is represented also in the newest [monograph \[1/5\]](#) with following editorial details:

Pająk J.: "Advanced Magnetic Devices",  
Monograph, Wellington, New Zealand, 2007, 5th edition,  
in 18 volumes, ISBN 978-1-877458-01-9.

Contact addresses to the author valid in 2014 – i.e. during the preparation of this brochure:

[Dr Eng. Jan Pająk](#)

P.O. Box 33250, Petone 5046, NEW ZEALAND

Email: [janpajak@gmail.com](mailto:janpajak@gmail.com)

Television and internet bring us closer to phenomena the subject of which was discussed like myths in past. One amongst these phenomena is telekinesis. Present official science claims that telekinesis is an illusion and does NOT exist objectively. (In publications by the author, this present official science is called the old **"atheistic orthodox science"** - reasons for the use of this name are explained more thoroughly in item #A3 below on this web page.) Thus, according to present scientists, telekinesis should be ignored, instead of being researched. But the real life reveal to us increasingly more cases, when telekinesis is manifested. After all, in villages until today new wells are dug out only in places which beforehand were indicated by a "divining rod" that was bend telekinetically, some people are able to move objects without touching them, others telekinetically break or bend spoons, still others can levitate, many amongst us encounter manifestations of so-called "poltergeist", there are people who claim to be telekinetically lifted on decks of UFOs, etc., etc. So what is "going on" with this telekinesis. Let us have a

look at descriptions that follow to find it out.

---

## Part #A: Introductory information of this web page:

### #A1. Goals of this page:

The most vital goal of this web page is to document that "telekinesis" does exist objectively, and to indicate the body of evidence which documents the objective existence of this phenomenon. Other goal is to illustrate that we already have a widely disseminated scientific theory called the Concept of Dipolar Gravity (described in item #D1 of this web page), which explains comprehensively what is that "telekinesis", what is its mechanism and work, how and for what telekinesis can be utilised, and what are consequences of it. Still another goal of this web page is to indicate applications of telekinesis and benefits which our civilisation is going to harvest from technical mastery of it. In addition to these, the web page fulfils also several further goals, which become obvious to the reader during digesting it.

### #A2. History of this web page:

Initially this web page was prepared to disseminate free scientific publications, such as my newest monograph [1/5], that describe the mechanism, course, consequences, and application potentials, of an interesting kinetic phenomenon popularly called "telekinesis". An example of this phenomenon encountered most frequently, is bending of a divining rod during searches for underground water (see the photograph of just such bending shown on "Fig. #E1" below). Other examples of telekinesis include levitation, moving of objects without physical touching them, the so-called "poltergeists", and the operation of telekinetic free energy devices. ("Telekinetic free energy devices" are extraordinary machines, the energy output of which exceeds 100% because they employ the phenomenon of telekinesis to extract thermal energy from the environment and to convert this thermal energy into motion or into electricity. An example of telekinetic free energy devices is so-called telekinetic cell which was embedded, amongst others, into circuitry of "crystal radios" thus allowing these crystal radios to operate completely without any energy supply.) The mechanism of telekinesis is going to be explained below in more details on the basis of a relatively new scientific theory called the Concept of Dipolar Gravity. But to summarise it here in just a few words, it is an ability to cause a motion of physical

objects, or to change structure of these objects, through grabbing and moving (or altering) the counter-material duplicates (means something like "phantoms" or "souls") of these objects.

The phenomenon of telekinesis is explained very comprehensively in two scientific publications that are downloadable free of charge from (or via) this web site. The first of these is the [monograph marked \[1/5\]](#), and carrying the editorial data: [Dr Jan Pajak](#), "Advanced Magnetic Devices", 5th edition, Wellington, New Zealand, 2007, ISBN 0-9583727-5-6. Volume 4 (chapter H) of that monograph [1/5] explains everything about telekinesis, while volume 10 (chapters K and L) of slightly older [monograph \[1/4\]](#), explains major applications of telekinesis for free energy devices (including the operation of the famous Swiss Influenzmaschine called the "Thesta Distatica") and for propelling space vehicles. The second scientific monograph, which also assumed a honourable task of disseminating the knowledge on telekinesis that so-far was unknown to people, is a slightly older scientific [monograph marked \[8\]](#), which carries the following editorial data: Dr Jan Pajak, "Totalizm", Wellington, New Zealand 2003, ISBN 0-9583727-2-1. It explains telekinesis in subsection L6.1 from volume 7. In order to download to your computer free of charge any of these two monographs, you only need to click on one of the Web pages that in Menu from the left margin are marked as "Text of [1/4]" or "Text of [8]", and then click on the volume which you wish to download.

Before the above my scientific monographs were published, almost the only publications fully scientific, which also described telekinesis constructively, were dictionaries and encyclopaedias. Therefore the majority of people believed that this phenomenon is equally exotic, and equally unexplainable, as ancient Gods. But it turns out, that in spite of the fashion to not research telekinesis officially, there are still scientists on Earth, who rationally research this phenomenon in their own time and at their own cost. I have the pleasure to be one of them. Therefore, this internet web site provides the information from the so-called **first hand** about this extraordinary kinetic phenomenon. In turn my scientific monographs [1/4] and [8], which describe in details both telekinesis and empirical evidence which reveals the nature and mechanism of this mysterious phenomenon, are probably the only "**non negating**" scientific publications written about telekinesis, that were prepared by someone who actually researched it, and even was able to explain what telekinesis is all about and which evidence supports this explanation. Thus I am inviting you to have a look at these unique monographs [1/4] and [8].

\* \* \*

Please notice that **this web page on telekinesis is also available** through all web sites which distribute monograph [1/4]. Some of them may furnish you with further information, which is unavailable here. So if there are any problems with accessing this web site, go to any other address listed under telekinesis in "[Menu 4](#)".

**#A3. This web page presents the**

# phenomenon of telekinesis explained and documented from "a priori" philosophical approach of the new so-called "totaliztic science":

**Motto:** *"In the world created and ruled intelligently by the Almighty God (i.e. in the world in which we live, and which is accurately described by items #B1 to #B3 from the web page named [changelings.htm](#)), the tradition of applying only "a posteriori" approach to research by the present official science, is like issuing the governmental law and requirement that all photographs officially must be viewed from their back sides."*

We all know, that e.g. a photograph or a person viewed from the front looks completely different than when it is viewed from the back side. It is because everything has the most appropriate side from which it should be viewed, as well as it also has the most inappropriate side. Philosophers have discovered long time ago, that also research can be carried out either from "a priori" approach (i.e. like from the "front"), or from "a posteriori" approach (i.e. like from the "back"). However, the present official science carries out all its research only from "**a posteriori**" philosophical approach - means only in the direction "from effects to causes". This science meticulously avoids and completely ignores the reversed approach to research called "**a priori**" - means "from cause to effect", or "**from God understood as the superior cause of everything, to the surrounding reality understood as effects of actions of this God**". After all, this science officially adopted the so-called "**Occam's razor**" (described in more details in items #F1.1, #F2 and #I1 from the web page named [god exists.htm](#)), which practically prohibits the use of "a priori" approach in official research. Meanwhile, numerous already formulated and published formal scientific proofs for the existence of God, of the kind described in items #G2 and #G3 from the web page [god proof.htm](#), or in item #B3 from the web page [changelings.htm](#), quite unambiguously and conclusively reveal to us, that **taking in all scientific research only "a posteriori" philosophical approach, is like issuing the governmental order and law, that in a given country all photographs must be officially viewed only from their back side**. So in order to emphasize the shocking absurdity and fallacy of such a stand of present official science, in all my publications I use for naming this science the expression with which for a long time the official science is named by so-called "alternative sciences", that means I use the name **old "atheistic orthodox science"**. This name emphasizes the hostility of the official science towards God, antiquity of its traditions and views, its monopolistic characteristics and behaviours, and its "a posteriori" approach to research.

To begin the repair of errors and distortions which to our understanding of the surrounding reality were introduced by this official, old "atheistic orthodox science", I also created scientific and philosophical foundations for a completely new science, which just is emerging, and which in my publications is called the new "**totaliztic science**". It is described in more detail in items #C1 to #C6 from

the web page named [telekinetics.htm](#), and in "part #F" from the page named [god exists.htm](#). The name of it is derived from the fact, that the philosophical foundation for this new science provides the new [philosophy of totalizm](#), while the scientific foundation is provided by my "[theory of everything](#)" called the [Concept of Dipolar Gravity](#) - which is the theory that, amongst others, formally and scientifically proved the existence of God. Of course, while being based on such foundations, this new science uses "a priori" approach to its research. In this way it creates a real competition to the **monopoly for knowledge** jealously guarded by the old "atheistic orthodox science". No wonder that also for this reason, the new science experiences constant harassment from the old science - which rejects and ignores all its findings and subtly haunts its author. Perhaps also because of it, as so far, unfortunately, I'm still the only scientist in the world who carries out research in the spirit of this new "totaliztic science" - in spite that this science practically exists and carries out its research since 1985. That is why everything that is written on totaliztic web pages and in totaliztic publications represents exclusively my personal scientific achievements. This web page publishes an explanation for the phenomenon of telekinesis presented as an example of one of the achievements of the new "totaliztic science", and also as an example of the presentation prepared in the spirit of this new science and described from the point of view of this new science.

That manifestly ignoring and silencing of findings of the new "totaliztic science" by the old science that still is holding a monopoly on the official dissemination of knowledge, deprives people of access to information that could change our civilization, and stop its current descent into the abyss. After all, the explanation for the phenomenon of telekinesis and [telepathy](#) are NOT the only achievements of this new science. It already has so many accomplishments that their descriptions takes now almost 100 different my web pages (each of which web pages is published in at least two languages). Hence, there is NO room to even name them all here. But still I am tempted to indicate here at least a few examples of the most important achievements of this new "totaliztic science". And so, to a rather highly significant for people achievement of this science, should be included the disclosure that the Darwinian "survival of the fittest principle" applies only in the world of wild animals and plants. In contrast, on the people acts a different **principle of the extinction of most immoral** described, amongst others, in item #G1 from the web page named [will.htm](#) and in item #B1 from the web page named [changelings.htm](#). Highly important is in my opinion also the documenting of the new "totaliztic science" with empirical evidence, that all disasters are the result of practicing immorality and the [parasitic philosophy](#) by the communities affected by these disasters. That documenting indicates to us a simple method of disaster prevention and of our defence against disasters (for tips how in the easiest way we can defend ourselves against disasters - see e.g. item #11 from the web page named [quake.htm](#)). However, the most important in my opinion achievement of the new "totaliztic science", is the discovery described, amongst others, in the introduction and in items #C4.1 and #A1 from the web page named [immortality.htm](#), that on Earth act simultaneously as many as two drastically different kinds of time. Namely **the ageing of all people and all other living creatures with DNA, is ruled by the so-called "reversible software time" which elapses in jumps, which is about 365,000 of times**

slower than the natural time of the universe, which was artificially created by God and put into the use only during the biblical Great Flood, and that allows people to build my time vehicles. On the other hand, every inanimate matter, means metals, rocks, caves, fossils (e.g. fossilized dinosaur bones or coal), etc., are ageing accordingly to the elapse of the natural so-called "irreversible absolute time of the universe" over the elapse of which no-one has any control. Because according to the information that God has given to us through the Bible, this **natural "irreversible absolute time of the universe" elapses around 365 thousands of times faster** than our (human) "reversible software time", hence **all scientific dating of the age of the rocks, the age of human paintings on cave walls, the age of imprints of human feet in rocks, the age of the fossilized bones of dinosaurs, the age of coal, etc., are wrong because are inflated by the amount of these around 365 thousands of times in relation to their actual age expressed in human years.**

---

## **Part #B: Why this web page was prepared and published:**

### **#B1. Clarifying the controversy about telekinesis:**

Telekinesis is a hugely controversial phenomenon. For example, in 2010 the official human science still stubbornly denied that telekinesis exists at all - in spite of the availability of a vast body of evidence for the existence of this phenomenon, only a small fraction of which is named on this web page. Thus, this web page, amongst others, clarifies the controversy surrounding telekinesis and explains this mysterious phenomenon in a popular language that is digestible for just an ordinary reader.

### **#B2. Reaping benefits from mastering telekinesis:**

Mastery of telekinesis should bring about numerous benefits. Examples of these benefits are indicated on this web page - see items #H3 and #H4 below. Thus publishing this web page should bring closer the time when such benefits could be accomplished.

---

## Part #C: What is this "telekinesis":

### #C1. Telekinesis - what is it:

Dictionaries usually describe telekinesis as - quote: "**telekinesis - the movement of objects at a distance supposedly without being physically touched or interfered with**" (see page 1122 in "The Cassell dictionary and thesaurus", 1996, ISBN 0-304-35004-4), or "telekinesis - the production of motion at a distance by means beyond the range of senses" (see page 1510 in "Chambers English dictionary", 1989, ISBN 1-85296-000-0). In turn my own research, that results from a new scientific theory named the Concept of Dipolar Gravity and that is supported by numerous empirical findings, reveals that telekinesis is a very special mechanism of motion of objects, which (the motion) instead in our physical world, was initiated in a separate world called the "counter-world", (the counter-world is this other world, which religions used to call a world of spirits). To be more interesting, now when we know how telekinesis works, we can build technical devices which trigger telekinetic motion in a technical manner. An amazing property of these devices is, that they can yield more energy than they consume, thus they works as **telekinetic free energy generators**. (An example of one of such generators, which was already mass produced on Earth, was so-called **telekinetic cell** which was embedded into electronic circuitry of "crystal radio". Another such a generator which was already operational, was the famous telekinetic Influenzmaschine from Switzerland, called the "Thesta-Distatica", described in volume 10 of my monograph [1/4].) Descriptions of telekinesis provided in chapter H (volume 4) of monograph [1/4] and also in subsection L6.1 of volume 7 in monograph "Totalizm", explain in details what this kinetic phenomenon is, how it could be released in a biological and technical manner, how it can be utilised e.g. for the production of free energy or for the propulsion of space vehicles (so-called **magnocrafts**) which can move with an infinitively high velocity, and what phenomena are accompanying the appearance of telekinetic motion - thus how to distinguish and detect a telekinetic motion from, for example, an ordinary physical motion. The descriptions that follow summarise the most important out of these explanations.

---

**Part #D: The scientific theory called the Concept of Dipolar Gravity which explains telekinesis:**



## #D1. The Concept of Dipolar Gravity:

Before I proceed with an explanation how telekinesis work, I firstly need to introduce briefly a relatively new scientific theory, which explained principles of telekinetic motion (and also explained numerous other mysterious phenomena, e.g. telepathy, the operation of time, energy, magnetic field, and many more). This new theory is called the Concept of Dipolar Gravity. The **Concept of Dipolar Gravity** is an extremely interesting scientific theory, which I would highly recommend for reading. It turns out to be this special **Theory of Everything** searched by people for so long. For example, it explains telekinesis and mechanism involved in telekinetic motion. It explains the phenomenon of telepathy as well. (Telepathy is discussed on other similar web site, namely on [telepathy.htm](#).) The Concept of Dipolar Gravity explains also what is this "second world" to which we are shifting after our death. It reveals where this second world is located. It explains the nature of this second world. After all, it is this second world that every telekinetic motion is initialised in it. It discloses how our soul and spirit work and look like. It allows to deduce what we feel at the moment of death and during this shifting to another world. It explains what is [nirvana](#), how our feelings work, what is memory and how memory works, and many more. (Actually all these topics which stem from the Concept of Dipolar Gravity are briefly addressed on appropriate web pages listed in the Menu, which I recommend to visit.) The Concept of Dipolar Gravity was even able to allow for the formal proof to be formulated, that [God](#) does exist. (This **formal scientific proof for the existence of God** is presented in subsection I3.3 from volume 5 of monograph [1/4], and in subsection K3.3 from volume 6 of monograph [8]. In turn the discussion of this proof is provided on the web site [god.htm](#).) Exact descriptions of the Concept of Dipolar Gravity are provided in volumes 4 and 5 of monograph [1/4] "Advanced Magnetic Devices", and in volumes 6 and 7 of monograph [8] "Totalizm" - both these publications are available free of charge from this web site. Because it does not take a lot of time to review these two volumes, while they open our eyes on many phenomena which previously remained unexplained, I am inviting you to have a look at them.

---

## Part #E: Phenomena and conventional evidence which confirms the existence of telekinesis:

### #E1. The so-called "extraction glow":

The name "extraction glow" is assigned to a special kind of white, ghostly glow, which is emitted by every object moved in a telekinetic manner. Here is

how such "extraction glow" looks like:



**Fig. #E1: A photograph which documents an unique kind of white light called the "extraction glow" which is emitted from the space that surrounds objects moved on principles of telekinetic motion.**

(The above photograph originates from Figure L1 in monograph [8], and also from Figure D5 in monograph [1e] and Figure C1 in monograph [2e] - all three these monographs are downloadable free of charge from this web site.) The "extraction glow" which the above photograph managed to capture is quite a "spooky". In past it used to be considered as of a **supernatural** origin. On the above photograph it surrounds space around a divining rod moved on principles of telekinesis. Such a ghostly white extraction glow, together with a drop in the environmental temperature, are most important indicators of telekinetic motion. They allow to distinguish between a telekinetic motion and a physical motion.

\* \* \*

**Note** that you can see the **enlargement** of each photograph from this Web site, simply by **clicking** on this photograph. When you finish with looking at such an enlarged photo, click **BACK** to return to the previously viewed page. You can

also download each illustration to your own computer, and then look at it, reduce or enlarge the size of it, or print it, with your own graphical software.

\* \* \*

In old days such a ghostly white glow was considered to be "supernatural" because it was formed by strange devices and strange creatures that people in old days considered to belong to the realm of [devils](#), [angels](#), or [gods](#). Presently we know that this type of white, ghostly light is produced by extraterrestrial vehicles popularly known as [UFOs](#). Descriptions and technical details of UFOs you can find in monograph [1/4], and also in subsection E1 from volume 4 of monograph [8] **Totalizm** - both free and downloadable from this web site.

## #E2. Proof of telekinesis:

The existence of telekinetic motion can be proven in several different ways. Most important of these ways are explained in subsection H1.2 of [monograph \[1/4\]](#), and in subsection I2 of monograph [8]. In general, experimental ways of this proving depend on either repetitive producing technical version of telekinetic motion, or on showing that human versions of telekinesis display properties of telekinetic motion (e.g. are able to produce the extraction glow that is shown on the top photograph from this web page).

Several different ways of proving telekinesis results from the fact that the human form of it allows the phenomenon of "levitation" described in item #M1 of this web page. This levitation in turn allows to carry out a popular experiment called the "party levitation", a brief description of which is provided in item #E7.2 of the web page [soul\\_proof.htm](#).

---

## Part #F: The mechanism of telekinezis - means how telekinesis work:

### #F1. Counter-matter: the thinking substance:

In the [Concept of Dipolar Gravity](#), the name counter-matter is assigned to the substance that prevails in this other world, called the counter-world. From this substance all counter-material duplicates of physical objects are made. (These duplicates allow the phenomenon of telekinesis to take place when they are shifted to other locations - as explained below.) These counter-material duplicates are simply forms by religions called **spirits** (or "phantoms") which are made of substance that differs from matter of our physical world. The most

extraordinary attribute of this substance from the counter-world is that it is intelligent in its natural state. This means that it is able to think like a huge computer. For example, the so-called ESP, or cases of receiving replies to inquiries via divining pendulums, are actually manifestations of communication between humans and this thinking substance. The shocking consequence of the entire other world being filled up with such thinking substance is, that actually this intelligent other world is what religions call **God**. Thus the counter-matter has two types of attributes, namely: physical and intellectual. Physical attributes allow it to move, vibrate, etc. - thus causing telekinesis, telepathy, etc. In turn intellectual attributes of the counter-matter allows it to think, memorise, communicate, etc. Thus the entire counter-matter forms a superior intelligent being, by religions called God. It also keeps our memory records, allows to keep our souls alive after our physical death, etc.

## #F2. How telekinesis work:

Imagine that you are able to move a reflection of any object in a mirror, without moving the mirror and without moving this object. Then, most probably, the motion of this reflection would cause that the original object would also be forced to move. Especially if light would behave like gravity forces. The new scientific theory called the **Concept of Dipolar Gravity** states, that our physical world is only the first of two parallel worlds that exist in our universe. This is because on the other end of gravity dipole there is also another physical world called the **counter-world**. Both these worlds, means "our world" and the "counter-world", relate to each other just like objects and their mirror reflections. This also means that every known object exists in two physical copies, each one of which stays in a separate world. (Religions call these two copies with names "body" and "spirit".) Both copies of the same object are tightly linked together with forces of gravity. Therefore, if one copy is moved, another copy must follow. If we are able to move the copy (spirit) which resides in this other world, then the motion of this copy is going to force the physical object to also move. Such motion that is initiated in this other world is called "telekinesis".

There is a wealth of empirical evidence which confirms that the counter-world definitely exists. For example, the existence of it can easily be proven through the behaviour of gravity force lines. Namely, the gravity field displays a dynamic dipolar character, similar to that of magnetic field, i.e. it has two poles (inlet "I" and outlet "O"). But in spite of this dipolar character, we see in our world only the first (inlet "I") pole of gravity field. This practically means, that the second pole of the dynamic dipolar gravity field must disappear from our world and emerge in this another, parallel world. Unfortunately, because all our senses remain in the physical world, we do not see what happens in this other parallel counter-world. It is a bit like with people swimming in a sea - because their eyes remain above the water level, they do not see that below the surface there is an entire underworld. But the counter-world is described by almost all religions - it is that one in which our spirit resides. Furthermore, the so-called **Kirlian photography** allows to see objects that exist in the counter-world, but do not exist in our world. Most clear

images provided by this counter-world are revealed during the so-called "ghost-leaf experiment" with a Kirlian camera. In this experiment a part of the leaf is removed, while the incomplete leaf is placed on the camera. But the camera shows a complete leaf. In a similar way a Kirlian camera shows images of amputated fingers - copies of which are still present in the counter-world. (More on the "ghost-leaf effect" is explained in [treatise \[7/2\]](#).)

The existence of this counter-world was also formally proven by the [Concept of Dipolar Gravity](#) through the investigation of behaviour of gravity field. (This concept determined that gravity is a dipolar field, like a magnetic one. Thus the second pole of gravity must go somewhere, since it does not appear in our world - means that it goes into this other world.) For more details on this formal proof see volumes 4 and 5 of monograph [1/4] "Advanced Magnetic Devices", and volumes 6 and 7 of the monograph [8] **Totalizm** - both downloadable for free from this web site.

An extremely interesting fact that this new Concept of Dipolar Gravity established about the counter-world, is that practically every material object which exists in our world, have a duplicate in it (religions call this duplicate a "spirit"). To be more interesting, this duplicate can be moved with the use of capabilities of the counter-world. But when this duplicate is moved, the physical object must follow it (means when we move a "spirit", "body" must follow this spirit). This extraordinary type of motion, which is accomplished through moving firstly "spirits" of physical objects, is called a "telekinetic motion". It is possible to build technical devices which are to produce such a motion. Several such devices are described in volume 10 of monograph [1/4], and in volume 7 of monograph [8] - both volumes downloadable from here free of charge. The most interesting one amongst these devices is a space vehicle called [Magnocraft](#), which utilises telekinetic motion for instant flights to distant star systems. There is a separate web site about this space vehicle. This web site is available, amongst others, from the address [propulsion.htm](#). Please have a look at it.

## #F3. Mechanism of telekinesis:

In monographs [1/4] and [8] there is a description of telekinetic motion, which illustratively explains how to understand this phenomenon in the light of the Concept of Dipolar Gravity. I am quoting below this description because it quite well illustrates the mechanism that telekinetic motion implements. Here is this quotation:

The Concept of Dipolar Gravity postulates, that the universe must be composed of two parallel physical worlds (i.e. our world, and the counter-world), the attributes of which are to each other as attributes of spaces that prevail at opposite poles of magnetic dipoles. These two worlds are separated from each other by impenetrable barrier, while to each one of them an opposite pole of gravity extends. Because of the nature of gravity, which requires that this field must always link some clusters of substances, all gravity dipoles are behaving as kinds of "marriage bounds", which link with each other into symmetrical pairs, all similar particles of substances that prevail on both ends of a given gravity

dipole (i.e. in both worlds). In the result, for every object that exist in one of these two worlds, the gravity field forms an identical duplicate that appears in the second of these two worlds. Thus one of the major discoveries of the Concept of Dipolar Gravity, is the postulate, that all material objects that exist in our set of dimensions (i.e. in our world) must have their counter-material duplicates that exist in the parallel set of dimensions (i.e. in the counter-world). Actually the existence of these counter-material duplicates can already be conclusively proven with our present technology by showing it with the use of Kirlian cameras. The best experiment which proves the existence of counter-material duplicates is the "leaf ghost effect" described by Daniela Giordano in subsection C9 of treatise [7/2]. (In this effect the Kirlian camera shows the shape of a counter-material duplicate of a whole leaf, even if someone cuts this leaf in half and puts on the camera only a half of it.) The mutual relationship between each material object and its counter-material duplicate is an analogy to an image and its mirror reflection, or to computer hardware and software, or to the idea of 'body' and 'spirit' postulated by various religions. Similarly like an image and its mirror reflection, both parts of an object are exact copies of their opposite duplicate, and also exactly imitate each other's movements. Moreover, both - the material object and its counter-material duplicate - can also be independently taken hold of and dislocated in space. But because of the gravitational links between them, independently of which part is grabbed and dislocated first, the other part must imitate exactly its motion. For this reason, depending on which part of an object is grabbed first and thus first dislocated in space, the new Concept of Dipolar Gravity distinguishes between two different types of motion, i.e. the "physical motion" and the "telekinetic motion". **Physical motion** occurs when the material part of an object is moved first, whereas the counter-material duplicate is pulled behind it by forces of the gravitational links. In turn **telekinetic motion** occurs when the counter-material duplicate is moved first, whereas the material part of this object is pulled behind the counter-material duplicate by forces of their mutual gravitational links. To illustrate this with an example, the Concept of Dipolar Gravity shows that the telekinetic motion is like forcing an object to move by shifting its reflection in a mirror, so that this re-located reflection causes the object to move also. Of course in order for this example to work in reality, light would need to behave like gravity forces. The other, even more illustrative explanation for the telekinetic motion would be to liken it to "shifting material objects by dislocating their counter-material 'spirits'".

This is the end of quotation from chapter H of monograph [1/4] (and also from chapter L of monograph [8]). Although this quotation explains the essence of telekinetic motion, there is still a lot to this phenomenon, which because of the sparse volume of this web page, I am not able to explain here. Therefore I recommend to download to your computer copies of volumes 4 and 5 from the English version of monograph [1/4] (after all, this monograph is available here for free), and then read at your leisure chapters H and I of that monograph [1/4]. You should be able to find in these two chapters (H and I) explanations for all phenomena that ever puzzled you.

## Part #G: Attributes of telekinesis - means how telekinesis manifests itself:

### #G1. Attributes of telekinetic motion:

Telekinetic motion, which is induced through phenomena that take place in the counter-world, is totally different from physical motion induced in our physical world. Some differences between these two can be used to distinguish between a telekinetic motion (still unknown to people) and a physical motion (already well known and well researched). Here are most significant of these differences:

(a) The emission of a ghostly white glow called the "extraction glow". This glow in old days was called "supernatural" as it was produced by all sorts of supernatural creatures (i.e. old equivalents to present UFO-nauts) and by advanced telekinetic vehicles of these creatures. It is caused by the fall of electrons to lower orbits during each telekinetic motion. More details about this glow is provided in subsection L1 (from volume 10) of my scientific monograph [1/4] "Advanced Magnetic Devices", and in subsection L6.1 from volume 7 of monograph [8] **Totalizm**. The emission of this extraction glow during a telekinetic motion is well illustrated on two photographs from "Fig. #2" below, which in monograph [2e] are shown as Figure D5 (in monograph [8] they are presented as Figure L3).



Fig. #G1: Differences between physical and telekinetic motion. Their knowledge allows us to detect with which type of motion we deal in a given moment of time. The left photo (a) shows lifting of a table with the use of a physical motion - the "extraction glow" does not appear. The right photo (b) shows lifting the same table telekinetically - then the ghostly white "extraction glow" covers the entire surface of this table.

**(b)** The acting as a reversal of friction. Phenomenon of telekinesis is an exact reversal for the phenomenon of friction. **In the same way as friction spontaneously converts motion into heat, the phenomenon of telekinesis spontaneously converts heat into motion.** For this reason telekinetic motion does not require energy supply. The phenomenon of telekinesis simply extracts thermal energy contained in the environment, and converts this energy into motion.

**(c)** A drop in environmental temperature. This rapid cooling of the room in which telekinetic motion is carried out, results from the spontaneous extraction of thermal energy that is present in the environment. All objects moved in a telekinetic manner always extract this thermal energy, thus causing the rapid cooling of a given room. In old days this temperature drop was a reason why **supernatural** phenomena used to scare people so much. (Supernatural phenomena are simply all phenomena related to telekinesis that are caused by technically advanced, although morally degenerate, creatures which have telekinetic devices in their disposal.) Presently this temperature drop is utilised in principles of operation of the so-called **telekinetic free energy generators**, the operation of which is based on telekinetic motion. For example, the famous Swiss free energy device (Influenzmaschine) popularly called "Thesta-Distatica", that is already build and since 1980s is operational in the Swiss religious commune Methernitha, actually causes a noticeable temperature drop in the room in which it works.

**(d)** No need for energy supply. This is the most extraordinary attribute of the telekinetic motion. It allows to distinguish easily a telekinetic motion from an ordinary physical motion. It also turns upside-down our orthodox science. Objects that are moved in a telekinetic manner, and also technical devices propelled on principles of telekinesis, do not require energy to be supplied to them. They simply extract by themselves from their environment the thermal energy that they need. An example of just such a device in past produced in factories on Earth, was the so-called "crystal radio" which had a **telekinetic cell** embedded into its electronic circuitry. It was because of this telekinetic cell, that the crystal radios used to work perfectly without having any battery, nor any other external energy supply. This work without energy supply introduces various extraordinary consequences for our physics, as telekinetic motion does not obey laws known to present orthodox science. Furthermore, due this ability to work as a reversal of friction and to extract thermal energy from the environment, allows telekinetic motion to become the major principle employed for the production of the so-called "free energy". Actually all known free-energy devices are utilising principles of telekinesis. Only that people who build these devices do not know yet what telekinesis is, and thus are not able to synthesise intentionally the perfecting improvements of their devices.

**(e)** The lack of forces of reaction. Physical motion always produces reaction forces. But telekinetic motion does NOT produce reaction forces acting at the doer. This allows to produce telekinetic cranes and tractor beams which work like torches - one just shines a telekinetic beam at something, and this something is instantly lifted upwards. Furthermore, this lack of reaction forces allows the doer to move himself up telekinetically. Hence the telekinetic levitation is possible.



(Self-levitation is impossible for obtaining with physical forces. After all, physical forces always produce reaction forces, which in case of self-levitation do not have a point of support.) This means that telekinetic motion actually allows to accomplish what for a physical motion would represent "lifting ourselves by grabbing and pulling upward our own hair".

**(f) Permanent telekinetization of matter.** Telekinetic field (or more strictly the accelerated magnetic field - see descriptions of technical telekinesis provided on the other side of this page), has this ability that it can permanently telekinetise matter. This principle of permanent telekinetisation is very useful in chemistry (for production of catalisurs which work on principles of telekinesis) and in farming (for permanent telekinetisation of water which later is used for watering plants on principles of "telekinetic farming", to cause their faster growth). But permanent telekinetisation can also cause the undesirable telekinetic pollution of the natural environment - for details see item #J1 of this web page.

**(g) Instant character.** Telekinetic motion is occurring with an infinitive velocity. Only that the distance at which this motion is carried out is limited. Therefore objects that are moved in a telekinetic manner, actually move in small jumps. If one takes photographs of them, they come out on these photographs as appearing simultaneously in several different places. You can see an example of just such a photograph on the lowest illustration "Fig. #L1" from this page - where a single telekinetic UFO vehicle managed to make two such jumps within one photo-frame. Means this UFO is present in two places at the same time. This motion in small jumps is also excellently visible on photographs and videos of invisible for human sight telekinetic UFOs popularly called **rods** - see item #I4 of this web page. (On photos and videos of these "rods", usually visible are single miniature UFO probe vehicles which were captured as being present simultaneously in several different places.)

---

## **Part #H: Technical version of telekinesis and its applications:**

### **#H1. Technical version of telekinetic motion, and telekinetics which researches it scientifically:**

The most interesting fact which emerges from my research on telekinesis is that this extraordinary kinetic phenomenon can be induced in a technical manner. In order to form a technical version of telekinesis, it is enough to accelerate, or to decelerate force lines of magnetic field. (This is why all devices which produce technical version of telekinesis must operate on principles of relative motion and acceleration of magnetic fields. This also includes the so-called telekinetic

"free energy devices". All free energy devices, in order to work, must utilise appropriately accelerated magnetic fields.) All objects that are contained within such accelerated or decelerated force lines of magnetic field, are experiencing a telekinetic motion.

## #H2. Benefits from practical applications of technical version of telekinetic motion:

The possibility of creating technical version of **telekinesis** introduces enormous potentials for our civilisation. This is because it allows to utilise telekinesis for various technical applications, as well as it allows to explain situations when someone else uses telekinesis in our vicinity. Let us list here the most important of such cases:

## #H3. Practical applications of technical version of telekinetic motion for building of human technical devices and progressing human technologies that utilise telekinesis in their operation:

Here are examples of applications of technical version of telekinetic motion in devices build by people, and in advanced technologies developed on Earth:

**1. Free energy.** Telekinesis can be used for the **production of free energy**, or more strictly for extracting thermal energy from the environment and for converting this energy into electricity or into any other form of useful motion. Note that there are available two separate web pages which explain the design and operation of such free energy devices. The first of these contains a review of the most important prototypes of such free energy generators that were build on Earth so-far. This web site has the following address [free energy.htm](#). The second web page explains the design and operation of an unique version of such devices, called [telekinetic cells](#). Telekinetic cells are devices which I invented myself.

**2. Propulsion of space vehicles.** Telekinesis can also be used for **propelling purposes**, as a very useful principle of operation for our vehicles. A design of a flying vehicle called the [magnocraft](#), which utilised telekinesis for space travel, is described in monograph [1/4] (also in [1e] and [2e]) downloadable (for free) from this web site. Basics of the magnocraft are also described on two separate web sites named [propulsion.htm](#), and [timevehicle.htm](#).

**3. Chemistry.** Telekinesis can be used in chemistry for **catalysis**, as it

accelerates chemical reactions. Actually all chemical catalysts are substances naturally telekinetised (i.e. so-called "oscillants" - see their description in subsection H8.1 of monograph [1/4]).

**4. Healing machines.** Telekinesis can also be utilised in **medicine** for building healing machines - after all, healers utilise human version of telekinesis for centuries to heal illnesses that our orthodox medicine is still unable to heal (e.g. consider healing cancers, or the so-called "bloodless operations"). (There is a separate web page about healing (still periodically subjected to improvements). It is available, amongst others, via the link [healing.htm](#).)

**5. Telekinetic farming.** Telekinesis can also accelerate growth of all living organisms. Thus it can be used for extremely efficient and healthy farming, called the "telekinetic farming". The detailed description of telekinetic farming is contained in subsection NB2 of monograph [1/4], and in subsection L6.2.2 of monograph [8].

Telekinesis can also be applied in countless other disciplines. More details on the practical utilisation of telekinesis and telekinetic motion is provided in volume 4 of monograph [1/4], and also in volume 7 of monograph [8] (both these monographs are available free of charge via menus from this web page).

## #H4. Practical applications of technical version of telekinetic motion for explaining phenomena which were previously unexplained by people because they were based on technical telekinesis released in someone's vicinity:

**Telekinesis** is only one amongst numerous phenomena previously considered to be **unexplained**, or unsuitable for scientific research. The mechanism of all these phenomena is now explained by this relatively new scientific theory called the **Concept of Dipolar Gravity**. The detailed descriptions of all these phenomena are contained in volumes 10 and 11 of monograph [1/4] "Advanced Magnetic Devices", and in volumes 6 and 7 of monograph [8] "Totalizm" (both these monographs are downloadable free of charge from this web site). In order to list here the most important of them, they include:

**1. Healing.** Various forms of healing actually represent applications of human form of telekinesis for altering the state of counter-body of a sick person. (Human form of telekinesis usually is called "psychokinesis".) In turn such telekinetic improvement of someone's counter-body, through the action of gravity forces is passed onto the physical body of a sick person, thus causing an improvement of health, or healing. A more detailed description of mechanism of healing is provided in volumes 4 and 5 of monograph [1/4]. For related information see also the web page [healing.htm](#).

**2. Telepathy.** Telepathy is the name assigned to a sound-like vibrations that propagate through the counter world. Telepathy belongs to a category of phenomena related to telekinesis, on a similar principle as sounds are phenomena related to displacements. For more details on telepathy see also [telepathy.htm](#).

**3. Nirvana.** Nirvana is an extraordinary feeling of pleasure which one experiences when a special kind of energy called the "moral energy" is being transferred from the counter-world to one's physical body. For more details about nirvana see also [nirvana.htm](#).

**4. God.** God is the superior intelligent being that is formed from the ocean of this thinking substance called "counter-matter" which saturates the huge counter-world. For more details on the nature of God, as it is revealed by the relatively new scientific theory called the [Concept of Dipolar Gravity](#) - see also [god.htm](#). God frequently utilises telekinesis in His actions for creating so-called "miracles".

**5. Miracles.** Miracles are special effects accomplished in a telekinetic manner. For more details see also [malbork uk.htm](#).

**6. Magic.** It is the execution of events through issuing commands to thinking counter-matter. For more details see also [telepathy.htm](#).

**7. Ghosts.** Real ghosts are people's duplicates made of thinking substance that prevails in the counter-world. For more details on this subject see also the page [god.htm](#). However, we must be aware, that apart from real ghosts, there are also **false ghosts**, which are simply UFOonauts invisible for human sight and playing dirty tricks on humans without allowing people to see them. Popular manifestations of such "false ghosts" are so-called **poltergeists**. These poltergeists usually are jealous and morally deviated UFOonauts who fancy young and pretty girls, and thus who try to discourage all potential rivals from also fancying these girls. False ghosts can be recognised from changes of temperature and by faint extraction glow that their activities produce. This faint glow can actually be captured on photographs.

**8. Gigantic mutations.** In some areas of our planet gigantic mutations of living organisms keep appearing. Examples of such areas include New Zealand and Alaska. (Probably everyone has heard about gigantic Moa birds or giant squids from New Zealand, or about colossal cabbages from Alaska.) As it turns out these mutations are triggered by the telekinetic pollution of the environment - for more details see subsection JE9.2 of monograph [1/4], or the web page [tapanui.htm](#).

---

## **Part #I: Application of technical version of telekinetic motion in UFO propulsion systems and in devices used by UFOonauts:**

# #1. Telekinetic propulsion of UFOs:

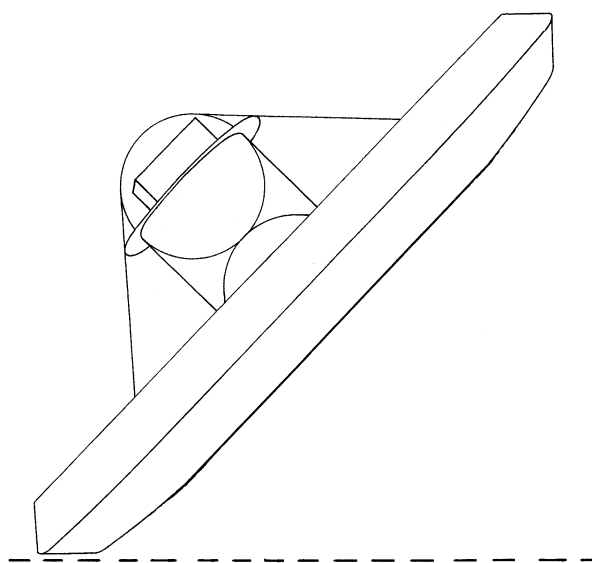
UFOs are vehicles which employ principles of telekinesis in their flights. Furthermore, a related phenomenon called "**telekinetic flickering**" (described in subsection L1 from volume 10 of monograph [1/4], and also on web pages about the [Concept of Dipolar Gravity](#)) allows UFOs to become invisible to human eyes, and also to penetrate through solid objects without damaging these objects or damaging themselves. This phenomenon depends on very fast flickering (with frequency around 2500 Hz) between a material state and a telekinetic state. In this way UFO vehicles, and also UFOonauts, behave like a fast flickering movie film or our TV screen - e.g. they remain unnoticeable for human eyes. The mastery of telekinesis allows [morally decadent UFOonauts](#) to do various evil deeds to people without being seen by us. (This is why in old days UFOonauts used to be called devils, wicked witches, etc.) The reason why UFOonauts are doing all these terrible things to people, are explained in subsection A3 from volume 1 of monograph [1/4]. (For more details on UFOs and UFOonauts see also [ufo.htm](#).)

It should be noted that the use of telekinesis in propulsion system of UFO vehicles carries various undesirable consequences for people. One of such consequences is that it telekinetically pollutes the environment on Earth. This in turn leads to sporadic appearance of human giants, and to the continuous increase of height of humans - for more details see subsection JE9.2 in monograph [1/4], and a separate web page about [telekinesis free zone](#). Even more problems appear, when telekinetically propelled UFO vehicles are exploded on Earth - as this was the case in 1178 AD near a small township of [tapanui.htm](#) in New Zealand. In such a case the telekinetic pollution of the environment becomes so enormous, that various consequences are still visible after almost 850 years. In turn the newest (underwater) UFO explosion on 26 December 2004, described on web page named [day26.htm](#), caused a complete ceasure of life in the area where it took place.

# #12. Telekinesis and UFOs:

Telekinetic motion is utilised by UFOonauts technically. Actually propulsion systems of UFO vehicles most frequently operate on principles of telekinetic motion. (Note that apart from telekinetic flights, UFO vehicles may complete also two further principles of flying, namely magnetic flights and time travel - all of them are described in subsection M6 from volume 10 of monograph [1/4].) Furthermore, telekinetic motion provides UFOonauts with two extraordinary abilities, namely invisibility and indestructibility. This means that because of telekinesis UFOonauts can remain invisible for the human sight. They also can pass through solid objects such as walls, mountains, spinning propellers, etc. Furthermore, solid objects - such as humans or human bullets and swords, can pass through them without doing any harm to their bodies. How they accomplish this invisibility and indestructibility is described in subsection L1 from volume 10

in monograph [1/4], and also on the web page on the [Concept of Dipolar Gravity](#). In a very brief description, it is obtained through a very fast flickering between the physical state and the telekinetic state. Due to this fast flickering UFOs and their vehicles behave like motion movies or our TVs, the changes of pictures in which are undetectable to human eyes. An average UFO vehicle flickers with the frequency of around 2500 Hz, means many times faster than the propeller of an aeroplane (if a propeller of an aeroplane flickers with the frequency of 2500 Hz, we also would not be able to see it). Therefore, even if so flickering UFOs or UFO vehicles stand just in front of us, our eyes still are unable to see them. Also we could walk through them without noticing their existence. Presented below is a highly evidential photograph of a UFO vehicle, which illustrates both these extraordinary capabilities of UFO vehicles obtained due to telekinesis, namely illustrate the visual invisibility and physical indestructibility (or penetrability by other solid objects).



**Fig. #12: The invisible to human eyes UFO vehicle which just flattened a "crop circle". (Click on this photo to enlarge it.)**

On the left side (a), a photograph of a UFO vehicle type K3 is shown. This UFO is invisible to human sight because it operates in the "state of telekinetic flickering". It remained on a "crop circle" (from Poland), while people who just inspect this crop circle walked through this UFO vehicle and took photographs near it. Note that the photograph does not show the shell of this UFO, but it captured a faint white "extraction glow" that this vehicle produces and that surrounded the outer shell of it. On the right side (b), a drawing of the shape and the position that this UFO assumes is shown. Both these illustrations originate from the [Polish treatise \[4c\]](#), which provides scientific interpretations for numerous UFO photographs - see Figures Z\_2\_B2 and R\_2\_B2 from that [Polish treatise \[4c\]](#).

## #13. The resolution:

(The resolution by the internet list [totalizm@hydepark.pl](mailto:totalizm@hydepark.pl), on "exploitation of Earth by UFOonauts".) **A historic resolution was accepted on 24 March 2003. Because it directly concerns phenomena of telekinesis and telekinetic motion induced technologically by propulsion systems of UFOonauts, I am going to present it here. The painful and prolonged fate of this resolution is described more comprehensively in subsection A4 of monograph [1/4]. The voting on this resolution was carried out in very dramatic circumstances, under a significant external pressures, and with intensive sabotage of UFOonauts. During this voting UFOonauts demonstrated to the participants of the internet list the power of their occupational forces, and their control over the development of situation. However, although this resolution turned out to be a painful and expensive victory of totalizm, still it is a victory, and this is what matters the most. Here is the content of this resolution.**

**The exploitation of Earth by UFOonauts: the collective resolution of the internet list [totalizm@hydepark.pl](mailto:totalizm@hydepark.pl) regarding official recognition of formal proof on the existence of UFO, recognition of the formal proof on the occupation of Earth by UFOs, and recognition of the Magnocraft as a technical explanation for UFOs**

We, 161 participants of the internet list [totalizm@hydepark.pl](mailto:totalizm@hydepark.pl), representing almost every area of life and almost every region of Poland, with a great concern observe the development of present situation regarding parasitic activities of UFOs on Earth. From one side we see the passivity of authorities and adverse of scientists towards increasingly larger problems that are induced by parasitic activities of UFOs on Earth, and we also see the growing tendency to ignore the prevailing collective opinions of majority of people and to base UFO-related decisions on claims just a few non-constructive individuals. On the other hand we notice the overwhelming accumulation of evidence on the continuous presence of UFOs on Earth, evidence of immoral interference of UFOonauts in our public life, and evidence of abductions of people to UFOs combined with biological exploitation of people in UFOs. We are also aware, that in 1981, in the Polish Journal *Przegląd Techniczny Innowacje* (no 13/1981, pages 21-23) for the first time a formal scientific proof was published, which stated that "UFOs are Magnocraft". Starting from that moment, a growing number of scientific monographs is widely available for all interested, which formally prove the physical nature of UFOs, the parasitic interests of UFOonauts in Earth, the magnetic character of UFO propulsion systems, etc. Until present day these formal proofs transformed the knowledge on UFOs that is available so-far into a single consistent logical structure, proving via this structure that (1) UFOs do exist and they are material space vehicles piloted by morally degenerated relatives of people that originate from space, (2) that morally decadent owners of UFO vehicles occupy and exploit humanity in a hidden manner, and (3) that the design and operation of the space vehicle with magnetic propulsion called the "magnocraft" provides a complete and correct explanation for all technical aspects of UFOs. We are also aware, that very detailed descriptions of the magnocraft, as well as all scientific proofs that originate from magnocraft, are available in a number of scientific publications. Amongst these publications the most up-to-date is the scientific monograph [1/4] by Prof. dr Jan Pajak, entitled "**Advanced magnetic devices**" (4th edition, Wellington, New Zealand, 2003,

ISBN 0-9583727-5-6). This monograph is distributed free of charge from numerous web sites, for example from: [text 1 4.htm](#), [text 1 5.htm](#), as well as from several others indicated by links from these sites. While being aware of all the above, and simultaneously knowing about responsibility that lies on our shoulders because of our representation of the cross-section of the entire society and all regions of our country, herewith we resolve the following.

**#1.** We resolve that we officially recognise the formal proof that states that "UFO vehicles do exist". We know that this proof, carried out according to the scientific methodology of "matching attributes", is published and distributed constantly starting since 1981, and that no-one managed to undermine the merit of it. By recognising the significance and validity of this scientific proof, we simultaneously declare and remind, that it has the binding power and that its conclusions, and awareness consequences, should be considered in action of every person on Earth. Especially binding this formal proof is for scientists and for UFO investigators, who on the basis of it have the obligation to undertake the constructive research of goals and manifestations of UFO activities on Earth.

**#2.** We resolve also, that we officially recognise merit of the formal scientific proof stating that "UFOs are magnocraft, which are constructed by technically highly advanced, although morally decadent, civilisations of evil parasites from space". We oblige everyone to respect the conclusions and significant consequences of this proof.

**#3.** Furthermore we resolve, that we officially recognise the formal scientific proof, that "morally decadent owners of UFO vehicles occupy our planet in a hidden manner, and secretly carry out a large scale exploitation of humanity". We oblige every citizen of our planet to encompass the seriousness of consequences of this scientific proof, and to initiate actions that gradually neutralise this occupation and exploitation of people by UFOnavts.

While resolving all the above, we simultaneously strongly encourage all interested, to urgently learn about scientific proofs contained in the monograph [1/4] indicated above, the official and popular recognition of which this resolution declares and also the multitude of consequences of which we are trying to realise with the assistance of this resolution. We also encourage to learn the design, operation, and propulsion system of the magnocraft, which is the space vehicle that represents an Earth's version of UFOs (means which displays all attributes of UFOs, carries the same operational capabilities as UFOs, and induces the same phenomena which are known from UFO observations).

While issuing this resolution, and granting to it the character of a true representation of our collective views and wishes, we simultaneously hope, that the resolution finally is going to initiate constructive actions and initiatives regarding UFOs, so long-awaited by the society. For example we hope, that it is going to inspire the undertaking of systematic research on UFOs by scientists and by people responsible for our security and our level of informing. We hope, that in all matters regarding UFOs the society starts to draw from collective wisdom and stops following the claims of wrong but noisy individuals, who probably are manipulated by these parasitic UFOs. We hope, that this resolution breaks through the impasse to-date which surrounded the progress of people's rational understanding of the reasons, multitude, and technology of morally degenerated aggressors from UFOs. We hope, that it is to make people sensitive



about immoral, parasitic, and hidden character of all activities of UFOs on Earth. We hope that it points the attention of authorities at burning issues of the defence of society from evil exploitation by UFOs. We hope, that it makes everyone interested in the scar from identification implant of UFOs, which (the scar) the majority of us is having on a leg. We hope, that it is going to initiate more intensive observations of UFO activity in our living space, and that it realises that with appropriate methods and devices which are sensitive at fast telekinetic motion, literally tens of visually invisible, telekinetic UFO vehicles can be registered in our sky in every moment of time (these telekinetic UFO vehicles are usually referred to, as "rods"). We hope also, that this resolution inspires all people to undertake an active self-defence against cosmic aggressors from UFOs.

This resolution was taken on 24 March 2003, in the result of anonymous voting (which was based on pseudo-names) that was open for participants of debates on the internet list totalizm@hydepark.pl. The results of this voting was unanimous - the entire 100% of voting participants gave their votes for accepting this resolution. The participants confirm that the voting had anonymous character, thus the results represent an exact reflection of actual views and wishes of people that voted. In turn because voters represented the cross-section through the entire society and through all regions of Poland, and also because the text of what was resolved represents the collective opinion of voters, this resolution is representative for the stand, wishes, and feelings of significant proportion of citizens of Poland aware of the seriousness of current situation.

## **#14. Miniature telekinetic UFO vehicles called "rods" and "orbs":**

A lot of photographs can be found in internet, which show so-called "rods" and "orbs". If one analyses these rods or orbs, then he or she discovers that they are simply images made of the extraction glow that is emitted during telekinetic motion of miniature computer-controlled UFO vehicles, normally by researchers called "probes". The shape of these probes is discoidal, i.e. very similar to the shape of large crew-carrying UFO vehicles. If such a miniature discoidal UFO probe is photographed in a side view, it shows the linear countour. For this reason is then called a "rod". But if such miniature discoidal UFO vehicle is photographed from a top view, it shows a circular contour. For this reason it is called then an "orb". These rods and orbs excellently illustrate all properties of technical telekinetic motion discussed here, especially the motion in small jumps, and the appearance of the same vehicle in multiple images. More information on these rods is provided in subsection U3.1.2 of monograph [1/4]. In turn their photographs are shown on internet web page named [aliens.htm](#) - which shows a "rod", and the web page named [landslips.htm](#) - which shows an "orb". Such a UFO probe is also shown on photograph from "Fig. U18" from a separate web page that interprets authentic photographs of [UFO](#) vehicles. Finally, a verbal description of my own observation of such a UFO probe - which I saw as a

teenager, is provided in subsection D1 from the [Polish treatise \[4b\]](#).

---

## **Part #J: Threats resulting from applications of telekinesis:**

### **#J1. Telekinetic pollution of natural environment:**

The accelerated magnetic field which produces a technical version of telekinesis - as it is described in item #H1 above, creates by itself a new type of field, which is called the **telekinetic field**. In turn the telekinetic field has this extraordinary capability that it can permanently telekinetise surrounding matter. So if there is a situation that a given area or a given substance is subjected to the action of telekinetic field for a longer period of time, it becomes permanently telekinetised. Such a permanent telekinetisation can be used for constructive purposes. Thus the principle of permanent telekinetisation is very useful, e.g. in chemistry (for production of catalysers working on principles of telekinesis) and in so-called "telekinetic farming" described in subsection NB2 of monograph [1/4] (i.e. for telekinetising water with which telekinetically farmed plants are later watered to induce their accelerated growth). But it can also be used for destructive purposes. Namely it may telekinetically pollute natural environment. In case of such telekinetic pollution of the environment, various strange phenomena start to take place. For example, living organisms start to mutate to gigantic sizes. Everything starts to grow bigger and faster, etc., etc. New Zealand is a country which was polluted telekinetically in 1178 when a stack of 7 UFO vehicles exploded there near a small township of [Tapanui](#). Until today various side-effects of this telekinetic pollution can be observed in there. Many of these effects are described on separate web sites named [tapanui.htm](#) and [newzealand.htm](#). For example, these pages show photographs of various organisms which mutated in New Zealand to gigantic sizes because of the telekinetic pollution caused by this UFO explosion.

### **#J2. The need for establishing the "telekinesis free zone":**

The need to protect our planet against dangers of just such uncontrolled but destructive telekinetic pollution, forces us that already at this stage our defence

must be planned. For this reason, on a separate web page I postulate to establish on Earth the so-called [telekinesis free zone](#). The establishing of this zone lies in vital interest of the entire humanity. Especially at the moment when the first factory made [telekinetic free energy devices](#), are put into mass production on Earth (of the type of [telekinetic cells](#)). In fact, it lies in responsibilities of first producers of these devices that such a telekinesis free zone is introduced on Earth and then maintained with an iron consequence.

---

## **Part #K: Other phenomena related to telekinesis:**

### **#K1. Telekinesis versus telepathy:**

There is a close connection between telekinesis and telepathy. In an illustrative manner this connection could be described as a counter-material equivalent of similarities that in our world exist between physical motion and physical vibrations. In other worlds, telekinesis is an outcome of motion of counter-matter, while telepathy is an outcome of vibrations of counter-matter. Therefore while learning about telekinesis, it is also worth to take notice of telepathy and telepathic waves. More information about telepathy is provided on a separate web page [telepathy.htm](#).

Because of this close relationship between telekinesis and telepathy, many effects that are accomplished through telekinesis, can also be accomplished with the use of telepathic waves. For example the permanent telekinetisation of matter can be accomplished either by subjecting this matter to the telekinetic field, or through subjecting this matter to concentrated telepathic waves. This is why various substances are telekinetised when someone places them inside of a pyramid. (Pyramids are kinds of resonance chambers for telepathic waves, in which telepathic waves are focused along the vertical axis of these pyramids.)

At this point it is worth to emphasize, that the knowledge of behaviours and action of telepathic waves was the most developed in ancient China. Chinese called telepathic waves with the use of name "**chi** energy". Unfortunately, their lack of knowledge about counter-world and lack of knowledge of phenomena which take place in counter-world caused, that with the same name "chi energy" they described not only telepathic waves, but also almost all other phenomena which originate from the counter-world.

### **#K2. Remote earthquake detector which**

## operates on telepathy (chi):

Similarly as telekinesis, also telepathic waves can be utilised to various purposes. One of such purposes, which is extremely advanced and exceeds the current level of orthodox science and technology by at least 100 years, is the use of telepathic waves for detecting incoming earthquakes. Telepathic earthquake detectors are capable to detect earthquakes **a long time before** an earthquake strikes and spreads damages. A description of just such an early warning earthquake detector is provided on web pages [seismograph.htm](#).

Here is how this extraordinary earthquake detector looks like:



**Fig. #K2: A remote detector of impending earthquakes working on principles of telepathy (by Chinese called "chi"). In Internet it is described under the misleading name of the "[Zhang Heng Seismograph](#)".**

See further details on this wonder device by either visiting [seismograph.htm](#) or [newzealand\\_visit.htm](#), or by reading subsection N6.1 from volume 11 of monograph [1/4].

An extraordinary attribute of the above device is, that after appropriate redesigning of the "antenna chamber" that it utilises to sense telepathic waves, it is also able to detect remotely the impending [tornados](#). Thus the principle of operation that it utilises enables it to be used as a remote sensing device which detects a tornado that just is brewing up. More information about just such application of this device for remote detection of tornados, is provided on several web pages on the subject of "[tornados formed technologically](#)" listed in "Menu 4", e.g. web pages named [tornado.htm](#).

---

# Part #L: Shifting back in time as still another phenomenon related to telekinesis:

## #L1. Time vehicles:

Because telekinetic motion occurs instantly, the phenomenon of telekinesis is actually a key that opens doors to the mastery of time. Thus soon after mastering technical telekinesis, our civilisation is going to master also time travel. The definition of time in the new [Concept of Dipolar Gravity](#) is provided in subsection H9.1 from volume 4 of monograph [1/4]. In turn basics on the time travel and time vehicles are presented on separate web pages named [immortality.htm](#) and [timevehicle.htm](#). In there is provided e.g. the information, how "time vehicles" are to allow the humanity to overcome the death and to accomplish a physical immortality through shifting back in time in each case when someone reaches an old age.

\* \* \*

Time vehicles are already used on Earth by UFO-nauts. The use of these vehicles in our close proximity always induces various strange phenomena, which are already detectable on our level of technology. These phenomena are described in chapter M from volume 10 of monograph [1/4]. An example of them is the duplication of time. We notice it when the same (a short) sequence of events is repeated twice in our proximity. UFO-nauts utilise time vehicles for many different purposes. The most dangerous use of these vehicles is for keeping us enslaved. For example, UFO-nauts travel to future in order to find out which our present developments act against their occupational interests on Earth. Then - after they return to present times, they secretly sabotage these developments to prevent their happening. In this way a lot of vital [inventions](#) and scientific developments is held back on Earth by UFO-nauts. Of course, because people do not realise the existence of UFOs and their evil exploitation of Earth, the entire blame for this holding back of inventions and discoveries is always passed on people - especially on large corporations. UFO-nauts also assassinate people with the use of time vehicles. They carry out these assassinations without getting a karma payback. They use assassination scenario, which in monograph [1/4] is described under the name of "Titanic scenario". It boils down to visiting the future and finding major disasters that occur in our times. Then simply victims of these assassinations are telepathically or hypnotically convinced to be in the place and time of these disasters. For more details see subsection A3 from volume 1, and also volumes 13 to 18 of monograph [1/4]. Some selected topics on spread of deaths by UFO-nauts are also presented on web pages - e.g. see pages

[predators](#), [wtc](#), [Columbia](#), [Katowice](#), and other related to these ones.



**Fig. #L1: Telekinetic UFO type K7.**

This meaningful UFO photograph is explained in Figures from several my monographs, e.g. see Fig. T1 in [1/4], Fig. K4 in [1e], and Fig. O1 in [2e]. It shows a single telekinetic UFO type K7, which is present simultaneously in two different places (the telekinetic motion allows for an instant travel, so the same UFO vehicle can be in two places at once). The UFO is surrounded by a white ghostly light called the "extraction glow". The appearance of this light (in old days considered to be of a "supernatural" origin) certifies that this UFO flies in a telekinetic manner (means its propulsion system utilises a technical version of telekinesis). Monographs [1/4], [8], [2e], and [1e] explain in details how such a technical telekinesis works, and even provide designs of technical devices which are capable to generate such telekinetic motion.

The above photograph, together with a number of other photographs of UFOs, are also discussed on several different totaliztic web pages listed in "Menu 4" and "Menu 2", e.g. on pages "[26th day](#)", "[propulsion](#)", and "[time vehicles](#)".

\* \* \*

There is a formal proof published in subsection P2 of monograph [1/4] and in subsection J2 of monograph [1e], that "UFOs are already operational magnocraft". This formal proof justifies why UFOs and magnocraft must have identical propulsion system, shape, capabilities, and attributes. It also allows us to understand the operation and extraordinary technical capabilities of UFOs.

**Have a look at illustrations and text of monographs [1/4], [8], [1e], and [2e].** If you get interested in their content, you can download these monographs from here free of charge. They elaborate results of rather original research, about which no other publication can provide you with the same amount of scientifically verified information. You can review any of these monographs simply by clicking in MENU from the left margin onto pages which allow to download these publications. If the page that you selected is just secretly sabotaged by UFOonauts, than choose another page with the same monograph and try again. I continually repair effects of these secret UFO sabotages, so that at any time at

least one page with each publication should be in a working order.

---

## **Part #M: Levitation, means human version of telekinesis:**

### **#M1. There are people who are able to levitate:**

Every phenomenon which is able to be induced by a machine, can be also induced by human body, and vice versa. Thus the phenomenon of technical telekinesis has its equivalent in so-called "levitation". This levitation is simply self-lifting of people into the air, induced by the phenomenon of biological telekinesis caused by the soul of the levitating person.

The name "levitation" originates from priests of ancient Israel called "Levites" - which used to take care of the Biblical Arc of the Covenant. This Biblical Arc of the Covenant was actually a device, which on the web page named "oscillatory\_chamber.htm" is described under the name "Oscillatory Chamber" - for more details see item #D3 on the web page "eco\_cars.htm" or see subsection S5 from volume 15 of monograph [1/5]. Just such an "Oscillatory Chamber" works as the propulsor for various flying vehicles, e.g. for the Magnocraft. Therefore, the ancient version of just such an "Oscillatory Chamber" used to lift "Levites" into the air - hence the origins of the present name "levitation".

The phenomenon of levitation can be check with quite a spectacular experiment called the "party levitation".



Fig. #M1: NO it is NOT my photograph captured during a levitation. This is a photograph which illustrates how "levitation" looks like, but in reality it was just a fabrication. Namely one of enemies of my totalizm laboriously composed my photograph into the figure of that levitating man, thus making an allusion to my research on the phenomenon and mechanism of so-called "party levitation" described in item #E7.2 of the web page named soul proof.htm. (Click on the above photograph to see it enlarged.)

---

**Part #N: Summary, and the final information of this web page:**

**#N1. Summary of this web page:**

Telekinesis is the most controversial, and simultaneously bearing the



greatest potential for immensely benefiting people, phenomenon with which the humanity is confronted almost everyday. Unfortunately, as so-far the official human science refuses to recognise this phenomenon and refuses to undertake the ration research on it. So let us hope that this web page brings slightly closer the times, when telekinesis begins after all to serve for the benefits of our civilisation.

## #N2. How with the use of web page named "[skorowidz\\_links.htm](#)" one can find totaliztic descriptions of topics in which he or she is interested:

A whole array of topics equally interesting as these from the above web page, is also discussed from the angle that is unique to the philosophy of totalizm. All these related topics can be found and identified with the use of [content index](#) prepared especially to make easier finding these web pages and topics. The name "index" means a list of "key words" usually provided at the end of textbooks, which allows to find fast the description or the topic in which we are interested. My web pages also has such a content "index" - only that it is additionally supplied in green [links](#) which after "clicking" at them with a mouse immediately open the web page with the topic that interest the reader. This content "index" is provided on the web page named [skorowidz\\_links.htm](#). It can be called from the "organising" part of "Menu 1" of every totaliztic web page. I would recommend to look at it and to begin using it systematically - after all it brings closer hundreds of totaliztic topics which can be of interest to everyone.

## #N3. Emails to the [author](#) of this web page:

Current email addresses to the author of this web page, i.e. officially to [Dr Eng. Jan Pajak](#) while courteously to **Prof. Dr Eng. Jan Pajak**, at which readers can post possible comments, opinions, descriptions, or information which in their opinion I should learn, are provided on the web page named [pajak\\_jan\\_uk.htm](#) (for its version in the HTML language), or the web page named [pajak\\_jan\\_uk.pdf](#) (for the version of the web page "pajak\_jan\_uk.pdf" in safe PDF format - which safe PDF versions of further web pages by the author can also be downloaded via links from item #B1 of the web page named [text\\_11.htm](#)).

The author's right for the use of **courteous** title of "Professor" stems from the custom that "with professors is like with generals", namely **when someone is**

**once a professor, than he or she courteously remains a professor forever.** In turn the author of this web page was a professor at 4 different universities, i.e. at 3 of them, from 1 September 1992 until 31 October 1998, as an "Associate Professor" from English-based educational system, while on one university as a (Full) "Professor" (since 1 March 2007 till 31 December 2007 - means at the last place of employment in his professional life).

However, please notice that because of my rather chronic lack of time, **I reluctantly reply to emails which contain JUST time consuming requests**, while simultaneously they document a complete ignorance of their author in the topic area which I am researching. Therefore, if the reader sends a request to me, I suggest to let me know somehow that he or she actually went through the trouble of reading my web pages and learning what these pages try to say.

**#N4. A copy of this web page is also disseminated as a brochure from series [11] in the safe format "PDF":**

This web page is also available in the form of a brochure marked [11], which is prepared in "PDF" ("Portable Document Format") - currently considered to be the most safe amongst all internet formats, as normally viruses cannot cling to PDF. This clear brochure is ready both, for printing, as well as for reading from a computer screen. It also has all its **green links** still active. Thus, if it is read from the computer screen connected to internet, then after clicking onto these green links, the linked web pages and illustrations will open. Unfortunately, because the volume of it is around a double of the volume of web page which this brochure publishes, the memory limitations on a significant number of free servers which I use, do NOT allow to offer it from them (so if it does NOT download from this address, because it is NOT available on this server, then you should click onto any other address from **Menu 3**, and then check whether in there it is available). In order to open this brochure (and/or download it to own computer), it suffices to either click on the following green link

**telekinesis.pdf**

or to open from any totaliztic web site the PDF file named as in the above green link.

If the reader wishes to check, whether some other totaliztic web page which he or she just is studying, is also available in the form of such PDF brochure, then should check whether it is listed amongst links from "part #B" of the web page named **text 11.htm**. This is because links from there indicate all totaliztic web pages, which are already published as such brochures from series [11] in PDF format. I wish you a fruitful reading!

## #N5. Copyrights © 2014 by Dr Jan Pajak:

Copyrights © 2014 by Dr Jan Pajak. All rights reserved. This web page provides the explanation for the phenomenon of telekinesis, and also indicates technical implementations of this phenomenon, which I (i.e. [Dr Jan Pajak](#)) developed and invented myself as the first scientist on Earth, and thus for which I reserve intellectual property rights for myself. Therefore my wish would be, that during any referring to the mechanisms and consequences of this phenomenon which result directly from the explanations which I provided, one gives credit and emphasizes, that these result from my scientific output and accomplishments. Of course, the main goal for which I promote the open and unlimited dissemination of the descriptions of these my explanations for the phenomenon of telekinesis, is my desire that this phenomenon, as well as various technical devices which are to be build on the basis of it, are put into the service for our civilisation as soon as possible. In order to accelerate the accomplishment of this goal, onto all these who build in future any device of my invention which were described in publications and web pages that I disseminate free of charge, I impose a moral duty of designating 10% of the pure profit that the production and sale of these devices bring to them, towards the special fund for the research and development of further devices that will lift the advancement of our civilisation to a next level (e.g. the fund for research and development of the [telekinetic cell](#) described in volumes 10 and 11 of monograph [1/4], [oscillatory chamber](#) described in the second volume of monograph [1/4] and [Magnocraft](#) described in the third volume of that monograph, the fund of research and development of the [Zhang Heng seismograph](#) described in subsection N6.1 from volume 11 of monograph [1/4], etc.). Details of this fund are described in subsection AB2 from volume 2 of my [monograph \[1/4\]](#).

\* \* \*

**Jeśli preferujesz czytanie po polsku,  
kliknij na polską flagę**  
(if you prefer to read in Polish  
click on the Polish flag)



Date of starting this web page: 9 July 2002

Date of the most recent update of this page: 5 March 2014

(Check in "Menu 3" whether there is even a more recent update!)

**[at the end of viewing this web page please click on this counter of visits](#)**