

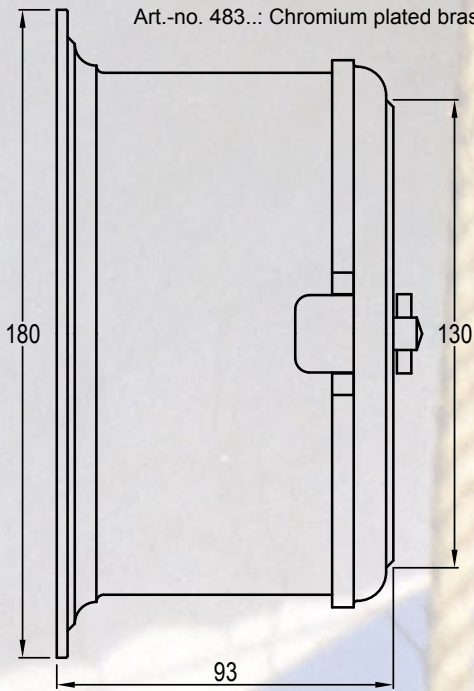
**Royal ø180-series (6" dial)**

White dial ø137mm. Case ø180 x 100mm.

Art.-no. 480...: Polished and 2 x lacquered brass.

Art.-no. 481...: Polished and brushed and 2 x lacquered brass.

Art.-no. 483...: Chromium plated brass.

**Schatz**  
1881

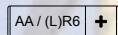
480 CM



481 C



480 CSA



480 CIA



481 CS

**Ship's clocks - polished and lacquered brass**

Article no.	EUR	SEK
480 C with roman figures	279,-	2.625,-
480 CA with arabic figures	279,-	2.625,-
480 CM mechanical clockwork / ship's bell	849,-	7.875,-
480 CMA mechanical clockwork / ship's bell	849,-	7.875,-
480 CIA with tide indicator, arabic figures	325,-	3.025,-
480 CS quartz clockwork with ship's bell	399,-	3.749,-
480 CSA ship's bell with arabic figures	399,-	3.749,-

**Ship's clocks - polished, brushed and lacquered brass**

Article no.	EUR	SEK
481 C with roman figures	279,-	2.625,-
481 CA with arabic figures	279,-	2.625,-
481 CM mechanical clockwork / ship's bell	849,-	7.875,-
481 CMA mechanical clockwork / ship's bell	849,-	7.875,-
481 CIA with tide indicator, arabic figures	325,-	3.025,-
481 CS quartz clockwork with ship's bell	399,-	3.749,-
481 CSA ship's bell with arabic figures	399,-	3.749,-

The Midi- and the Royal-ranges have been made according to the old craftsman principles. Punched out 0,8mm brass discs are formed by the metal spinner at the turning lathe. All cases are polished and laquered twice or chromium plated brass. Made in Denmark by Delite.



483 CMA



483 CS



483 C



483 CA

AA / (L)R6 +



483 CIA



483 CSA

**Ship's clocks - chromium plated brass**

Article no.		EUR	SEK
483 C	with roman figures	299,-	2.799,-
483 CA	with arabic figures	299,-	2.799,-
483 CM	mechanical clockwork / ship's bell	875,-	8.049,-
483 CMA	mechanical clockwork / ship's bell	875,-	8.049,-
483 CIA	with tide indicator, arabic figures	345,-	3.225,-
483 CS	quartz clockwork with ship's bell	425,-	3.925,-
483 CSA	ship's bell with arabic figures	425,-	3.925,-

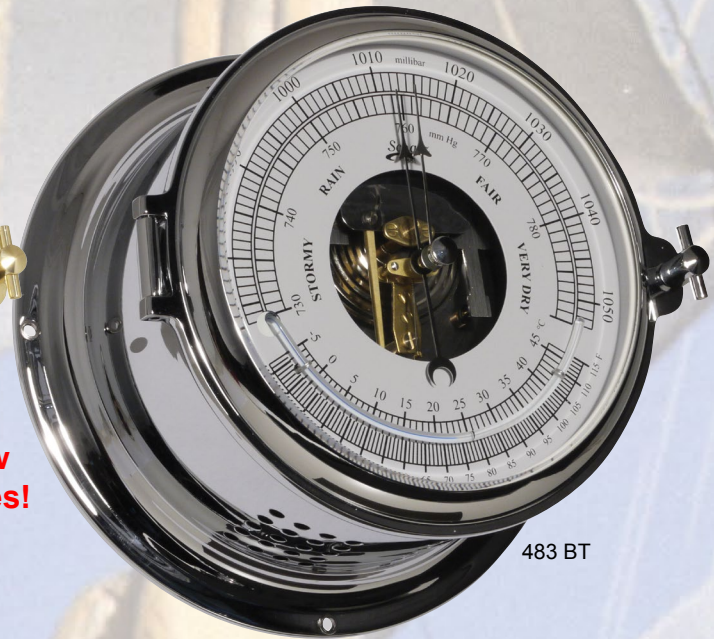
22 The Midi- and the Royal-ranges have been made according to the old craftsman principles. Punched out 0,8mm brass discs are formed by the metal spinner at the turning lathe. All cases are polished and laquered twice or chromium plated brass. Made in Denmark by Delite.

*Schatz*  
1881



481 BT

**New  
scales!**



483 BT

**Baro-/thermometer**

Scales with mm Hg/hPa and °C/F  
MECA-barometer ±2hPa (millibar)  
Thermometer ±1°C (20°C-30°C). ±3°C (0°C-50°C)  
Art. no. Case EUR SEK  
480 BT polished brass 375,- 3.499,-  
481 BT pol. and brushed br. 375,- 3.499,-  
483 BT chromium plated 395,- 3.675,-



481 H



483 H

**Hair hygrometer**

Accuracy is ±5% between 25 and 100% relative humidity.  
Art. no. Surface EUR SEK  
480 H polished and lacq. 275,- 2.549,-  
481 H Pol./brush. and lacq. 275,- 2.549,-  
483 H Chromium plated 295,- 2.749,-