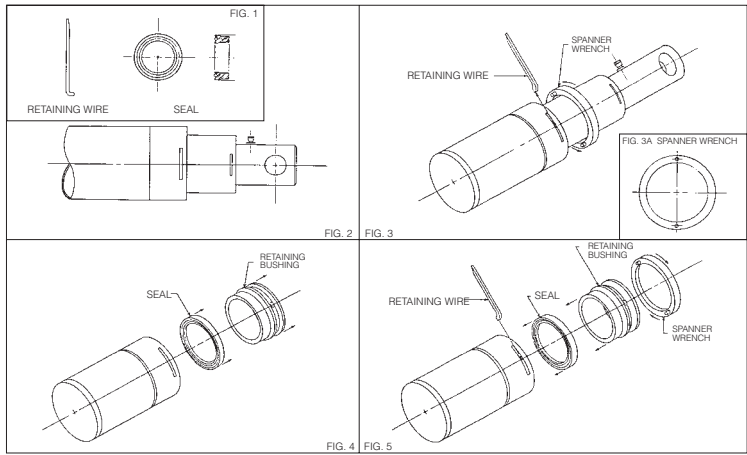


MAILHOT TELESCOPIC CYLINDERS

Kit Number	Cylinder Number	Description	Stage I.D.	List Price
MH-009-SK	M134-6-3	3 stage, U-Seals & Keepers	4, 5, 6	\$ 189.29
MH-078-SK	M150-6-4	4 Stage, U-Seals & Keepers	3-1/4, 4, 5, 6	347.11
MH-119-SK	M130-5.5-3	3 Stage, U-Seals & Keepers	3-1/2, 4-1/2, 5-1/2	175.06
MH-124-SK	M150-6.5-4	4 Stage, U-Seals & Keepers	3-1/2, 4-1/2, 5-1/2, 6-1/2	259.12
MH-125-SK	M160-6.5-4	4 Stage, U-Seals & Keepers	3-1/2, 4-1/2, 5-1/2, 6-1/2	259.12
MH-9000015-SK	C220-8-5	5 Stage, Z-Seals & Wipers	4, 5, 6, 7, 8	201.83
MH-9000025-SK	C190-8-5	5 Stage, Z-Seals & Wipers	4, 5, 6, 7, 8	201.83
MH-9000030-SK	C200-8-5	5 Stage, Z-Seals & Wipers	4, 5, 6, 7, 8	201.83
MH-9000034-SK	C135-7-4, C162-7-4	4 Stage, Z-Seals & Wipers	4, 5, 6, 7	144.03
MH-9000035-SK	C111-7-3	3 Stage, Z-Seals & Wipers	5, 6, 7	120.34

MARION TELESCOPIC CYLINDERS



INSTRUCTIONS:
 Remove cylinder and lie flat with sides parallel to ground. Drain oil from cylinder leaving stages slightly extended as shown in FIG. 2, exposing retaining wire slots. Using spanner wrench (FIG. 3A) or equivalent, remove retaining wire by turning retaining bushing counter-clockwise (FIG.3). After retaining wire is out, remove retaining bushing and seal, FIG. 4. Replace with seal provided in kit, FIG. 1. Retaining bushing (FIG. 5) and secure with retaining wire (FIG.1). Repeat steps for all other stages and other tubes.

STAGE BEARINGS

Part Number	Stage Size	I.D.	O.D.	Ht.	List Price
MARION-35120	1-7/8	1-7/8	2-1/4	.1	\$ 9.10
MARION-35130	2-3/4	2-3/4	3-1/4	.1	11.28
MARION-35140	3-3/4	3-3/4	4-1/4	.1	12.01
MARION-35150	4-3/4	4-3/4	5-1/4	.1	12.96
MARION-35160	5-3/4	5-3/4	6-1/4	.1	13.69

WIPERS

Part Number	Stage Size	I.D.	O.D.	Ht.	List Price
MARION-35731	2-3/4	2-3/4	3.114	.122	\$ 1.63
MARION-35741	3-3/4	3-3/4	3.996	.11	4.11
MARION-35751	4-3/4	4-3/4	4.996	.11	4.28
MARION-35761	5-3/4	5-3/4	5.996	.11	4.37
MARION-35771	6-3/4	6-3/4	6.996	.11	4.41

PISTON BEARINGS

Part Number	Stage Size	I.D.	O.D.	Ht.	List Price
MARION-35420	1-7/8	2	2-1/4	1/2	\$ 2.41
MARION-35430	2-3/4	3	3-1/4	1/2	2.53
MARION-35440	3-3/4	4	4-1/4	1/2	2.67
MARION-35450	4-3/4	5	5-1/4	1/2	2.73
MARION-35460	5-3/4	6	6-1/4	1/2	3.59

RETAINING WIRE

Part Number	Stage Size	Length	Square C/S	List Price
MARION-35240	2-3/4	10-1/4	1/8	\$ 5.21
MARION-35250	3-3/4	13-3/8	1/8	5.63
MARION-35260	4-3/4	16-3/8	1/8	6.04
MARION-35270	5-3/4	19-1/4	1/8	6.14

COMPLETE REPAIR KITS

Kits contain rod seals and retaining wire for each stage

Part Number	Series	Stage Sizes	List Price
MARION-35704	32 series	1-7/8, 2-3/4	\$ 23.22
MARION-35705	42 series	2-3/4, 3-3/4	28.99
MARION-35706	43 series	1-7/8, 2-3/4, 3-3/4	38.56
MARION-35707	53 series	2-3/4, 3-3/4, 4-3/4	48.65

Kits contain rod seals, wipers and retaining wire for each stage

Part Number	Series	Stage Sizes	List Price
MARION-35708	63 series	3-3/4, 4-3/4, 5-3/4	\$ 72.45
MARION-35709	64 series	2-3/4, 3-3/4, 4-3/4, 5-3/4	85.23
MARION-35715	62 series	4-3/4, 5-3/4	54.89
MARION-35716	52 series	3-3/4, 4-3/4	43.40

MARATHON

<u>Kit Number</u>	<u>Code (Pg. vi)</u>	<u>Rod X Bore Size</u>	<u>List Price</u>
MAR-04-0104	I-U-3	2-1/2 X 5	\$ 12.66

MARK HI-LIFT

<u>Kit Number</u>	<u>Code (Pg. vi)</u>	<u>Rod X Bore Size</u>	<u>List Price</u>
ML-16963	Valve Kit		\$ 4.98
ML-20042	I-U-3	7/8 X 1-1/2	7.67
ML-20127	I-U-5	2-1/2 X 3-1/2	28.88
ML-20128	I-U-5	1-1/4 X 3-1/2	29.25
ML-244-A	I-OB-2	1 X 2	11.26
ML-3009A	I-OB-3	1-1/2 X 3-1/2	5.93
ML-3011-A	I-OB-3	1-1/2 X 3-1/2	6.18
ML-3012-1	I-OB-3	1-1/4 X 2	4.14
ML-3062-1	I-OB-3	3/4 X 1-1/2	6.36
ML-3065-A	I-N-3	1-1/2 X 4	4.90
ML-66017	I-U-5	2 X 4	45.01
ML-66041	I-U-10	1-1/2 X 3-1/2	16.01
ML-66043	I-U-5	3-1/2 X 6	43.72
ML-66044	I-U-5	1-3/8 X 2-1/2	20.40
ML-66045	I-U-5	2 X 3-1/2	27.39
ML-66165	I-U-5	2 X 5	48.17
ML-66226	I-U-10	1-1/2 X 3	13.29
ML-66227	I-U-10, 12	2-1/2 X 3-1/2	28.38
ML-66363	I-U-10, 12	2-3/4 X 3-3/4	37.97
ML-66502	I-U-10	2-1/2 X 5	48.83

MARK HI-LIFT

<u>Kit Number</u>	<u>Code (Pg. vi)</u>	<u>Rod X Bore Size</u>	<u>List Price</u>
ML-66548	I-U-3	1 X 2	\$ 11.07
ML-66563	I-U-3	1-1/4 X 3-1/2	17.62
ML-66651	I-U-3	1-3/8 X 2-1/2	8.48
ML-66657	I-U-1	4-1/2" ROD	22.02
ML-66721	I-U-10	3-1/2 X 6	61.77
ML-66806	Valve Kit		24.63
ML-66818	2 Stage	3-1/2, 4-1/2	32.14
ML-66895	I-U-10	2 X 4-1/2	51.39
ML-66971	Motor Kit		60.66
ML-67040	I-U-10	2 X 3-1/2	29.99
ML-67051	I-U-10	1-1/2 X 2-1/2	25.36
ML-67150	Valve Kit		13.42
ML-67214	Special		45.57
ML-67842	I-U-10	1-1/2 X 2-1/2	14.24
ML-67843	I-U-13	1 X 2	10.79
ML-67845	I-U-1	3-1/2 X 4	20.77
ML-68518	P-O-1	7/16 SHAFT KIT	4.07
ML-68948	I-U-11	3/4 X 2	13.48

MARVIN LAND PLANE

<u>Kit Number</u>	<u>Code (Pg. vi)</u>	<u>Rod X Bore Size</u>	<u>List Price</u>
MLP-411948	I-U-2	1-1/2 X 3	\$ 7.98
MLP-411949	I-U-3	1-1/2 X 3-1/2	9.09
MLP-411950	I-U-3	1-1/2 X 5	12.25
MLP-411951	I-U-3	1-3/4 X 5	12.25

Replacement Kits For **MASSEY FERGUSON**

MASSEY FERGUSON

Loaders

Application	Cylinder Group	Code (Pg. vi)	Rod	Bore	Seal Kit MF-	List Price
Model 50H						
ARM	1605081M94	P-U-10	2	4-1/4	1607730M91	\$ 122.13
BOOM	1605245M91	P-U-8	2	4-1/4	1607427M91	131.81
STABILIZER	1605174M92	P-U-10	2	3-1/2	1607915M92	122.81
SWING	1605262M91	P-U-14	40 mm	75 mm	3402545M91	73.64
BUCKET TILT	1605045M93	P-U-10	40 mm	2-1/2	1606502M94	44.57

MASSEY FERGUSON

Kit Number	Code (Pg. vi)	Rod X Bore Size	List Price	Kit Number	Code (Pg. vi)	Rod X Bore Size	List Price
MF-1606487M93	...I-U-102-1/4 x 3\$ 21.87	MF-3484947M93	...P-U-1035 X 65 mm\$ 67.00
MF-1606502M94	...P-U-1040 mm X 2-1/2"44.57	MF-3484955M92	...P-U-1050 X 70 mm106.50
MF-1606583M93	...P-U-1045 X 75 mm84.50	MF-3485221M93	...P-U-1040 X 75 mm90.22
MF-1606681M92	...O-RING KIT5.80	MF-3485304M92	...P-U-1035 X 70 mm85.72
MF-1607427M91	...P-U-82 X 4-1/4131.81	MF-3485427M92	...P-U-1045 X 80 mm114.88
MF-1607730M91	...P-U-102 X 4-1/4122.13	MF-704643M91P-OB-31-1/4 X 2-1/216.81
MF-1607915M92	...P-U-102 X 3-1/2122.81	MF-836994M91P-U-102 X 463.69
MF-1609031M93	...I-U-101-3/4 X 2-1/427.23				
MF-3402545M91	...P-U-1440 X 75 mm73.64				
MF-3443575M93	...P-U-1040 X 65 mm85.00				

MAXON LIFT GATES AND REFUSE BODIES

<u>Kit Number</u>	<u>Code (Pg. vi)</u>	<u>Rod X Bore Size</u>	<u>List Price</u>
MX-202858	P-OB-3	1 X 2-1/2	\$ 10.51
MX-202911	P-OB-3	3/4 X 2	10.44
MX-203267	P-OB-3	1-3/16 X 3	11.07
MX-207302	I-OB-3	1-1/4 X 3	6.01
MX-213490	I-OB-3	1 X 2	2.98
MX-213491	I-OB-3	1-1/4 X 3	2.98
MX-215879	I-O-3	1-1/2 X 3-1/2	6.25
MX-215879-01	I-O-11	1-1/2 X 3-1/2	12.12
MX-219464	I-U-10	2-1/2 X 5	19.67
MX-222741-02	I-O-11	1-3/4 X 3	10.51
MX-223080-01	O-Rings		4.21
MX-223080-02	O-Rings		4.07
MX-223099	I-V-12	3-3/4 X 6	74.57
MX-223265	I-V-1	3"-5" Tel	45.19
MX-223266	I-V-10	1-1/2 X 3-1/2	15.65
MX-223285	I-V-10	2-1/2 X 5	21.21
MX-223285-OJ	I-U, V-10	63 mm X 125 mm	128.79
MX-223299	I-V-10	2 X 4	21.46
MX-223300	I-O-3	1-1/2 X 2-1/2	4.87
MX-223315	I-O-3	1-3/4 X 2-1/2	6.74
MX-226550	I, P-U-3, 4	1 X 2-1/2	22.39
MX-226552	I-U-3	1-1/4 X 3	12.68
MX-226553	I-U-3	1-1/4 X 3-1/2	11.29
MX-401783	I-V-5	2-1/2 X 4-1/2	44.05
MX-401873	O-Rings		4.24
MX-403425	I-V-5	3-3/4 X 6	70.79
MX-403432-2	I-U-5	1-1/2 X 3-1/2	27.13
MX-408136	I-U-3	1-1/4 X 3-1/2	10.51
MX-410034	O-Rings		4.75
MX-50444	I-OB-3	1-1/8 X 3	7.61
MX-801024	I-U-5	2-1/2 X 4	27.18
MX-801024-01	I-U-10	2-1/2 X 4	22.26
MX-801048	I-U-1	4" Rod Kit	17.43
MX-801049	I-U-1	3" Rod Kit	14.47
MX-801083	I-U-1	5" Rod Kit	21.70
MX-801390	I-OB-3	1-1/4 X 3-1/2	8.53
MX-801393	I-OB-3	1-1/2 X 4	5.01
MX-801638	I-O-3	1-1/4 X 2	5.54

MECMAN

<u>Kit Number</u>	<u>Code (Pg. vi)</u>	<u>Rod X Bore Size</u>	<u>List Price</u>
MM-04903-504-03	P-U-13	56 X 80 mm	\$ 77.70

MEYER PRODUCTS

<u>Kit Number</u>	<u>Code (Pg. vi)</u>	<u>Rod X Bore Size</u>	<u>List Price</u>
MY-15254	P-O-6	1-1/8 X 1-3/4	\$ 9.42
MY-15431	O-RING KIT		2.74
MY-15432	O-RING KIT		2.74
MY-15433	O-RING KIT		3.60
MY-15456	P-OB-6	1-1/8 X 1-3/4	13.13
MY-15610	O-RING KIT		2.10
MY-15707	P-U-6	1-1/8 X 1-3/4	24.27
MY-7705	I-V-1	1-1/2" ROD	9.42

MID - EQUIPMENT

<u>Kit Number</u>	<u>Code (Pg. vi)</u>	<u>Rod X Bore Size</u>	<u>List Price</u>
ME-1266K	P-OB-3	2 X 4	\$ 10.13
ME-2848K	I-U-3	4 X 7	49.73
ME-3102K	I-OB-3, 12	1-1/8 X 3	19.10
ME-3117K	I-U-3	4 X 6	22.22
ME-7-156	I-U-3	4 X 7	46.81
ME-7-498-OK	P-OB-3	2 X 4	36.56

MIDWAY

<u>Kit Number</u>	<u>Code (Pg. vi)</u>	<u>Rod X Bore Size</u>	<u>List Price</u>
MDW-3A4104	P-OB-3	1-1/4 X 3	\$ 6.71

MILWAUKEE

<u>Kit Number</u>	<u>Code (Pg. vi)</u>	<u>Rod X Bore Size</u>	<u>List Price</u>
MILW-01520-7-40	I-U-12	1 X 2-1/2	\$ 37.00

Replacement Kits For **MITSUBISHI**

MITSUBISHI

Excavators						
Application	Cylinder Number	Code (Pg. vi)	Rod (mm)	Bore (mm)	Seal Kit MIT-	List Price
Model MS-110-5, MS-110D-5, MS110L-5, MS110S-5						
BOOM	C25300104	P-UB-15	70	110	C75300010	\$ 159.37
ARM	C25320004, C25320005	P-UB-15	80	120	C75300020	172.55
BUCKET	C25340004, C25340005	P-UB-15	65	110	C75300030	157.50
Model MS-120-2, MS120S-2, MS120SS-2						
BOOM	C65300102, C65300103 C65300104	P-UB-14	75	110	C65300012	\$ 221.67
ARM	C65320002, C65320003 C65320004	P-UB-14	80	120	C65300022	202.19
BUCKET	C65340003, C65340004 C65340005	P-UB-14	70	110	C65300032	211.98
Model MS-180-3, MS-180LC-3, MS-180S-3						
BOOM	E35300101	P-UB-5	85	125	E15300013	\$ 187.36
ARM	E35300201	P-UB-5	90	130	E15300023	196.64
BUCKET	E35300301	P-UB-5	75	120	E15300033	166.02
Model MS-180-8						
BOOM	E75300101, E75300201	P-UB-10	85	125	E35300040	\$ 208.49
ARM	E75300301	P-UB-10	100	140	E75300010	248.85
BUCKET	E75300401	P-UB-10	85	125	E35300040	208.49

MITSUBISHI EXCAVATORS

<u>Kit Number</u>	<u>Code (Pg. vi)</u>	<u>Rod X Bore Size</u>	<u>List Price</u>
MIT-C65300012	P-UB-14	75 X 110 mm	\$ 221.67
MIT-C65300022	P-UB-14	80 X 120 mm	202.19
MIT-C65300032	P-UB-14	70 X 110 mm	211.98
MIT-C75300010	P-UB-15	70 X 110 mm	159.37
MIT-C75300020	P-UB-15	80 X 120 mm	172.55
MIT-C75300030	P-UB-15	65 X 110 mm	157.50
MIT-E15300013	P-UB-5	85 X 125 mm	187.36
MIT-E15300023	P-UB-5	90 X 130 mm	196.64
MIT-E15300033	P-UB-5	75 X 120 mm	166.02
MIT-E25300061	P-UB-14	90 X 140 mm	273.99
MIT-E35300040	P-UB-10	85 X 125 mm	208.49
MIT-E75300010	P-UB-10	100 X 140 mm	248.85
MIT-F15300011	P-UB-14	100 X 150 mm	188.13
MIT-94404-10160	I-U-10	40 X 90 mm	47.81

REPLACEMENT PARTS FOR MITSUBISHI EQUIPMENT

NOTE: Mitsubishi part numbers are used as a reference only. We do not imply that these parts are original replacement parts.

WIPERS

Part Number	Rod Diameter	List Price
MIT-05566-13030	30 mm	\$ 10.56
MIT-05566-13530	35 mm	11.13
MIT-64374-79200	40 mm	13.60
MIT-A04500812	50 mm	14.95
MIT-A04501417	65 mm	20.46
MIT-A04500815	70 mm	21.95
MIT-A04500822	70 mm	21.95
MIT-A04501418	70 mm	21.95
MIT-C45300148	75 mm	23.61
MIT-E35300325	75 mm	23.61
MIT-1853252	80 mm	5.57
MIT-A04500817	80 mm	27.83
MIT-A04501420	80 mm	27.83
MIT-E15300392	85 mm	31.59
MIT-E35300127	85 mm	31.59
MIT-1853094	90 mm	34.16
MIT-A04501422	90 mm	34.16
MIT-F25340118	90 mm	34.16
MIT-E85300320	95 mm	34.93
MIT-1853143	100 mm	35.86
MIT-A04501423	100 mm	35.86
MIT-F15302319	100 mm	11.52
MIT-F25340058	100 mm	35.86
MIT-A04903618	110 mm	36.73
MIT-A04700415	70 mm	6.07
MIT-7953042	75 mm	15.46
MIT-A04600918	75 mm	14.30
MIT-C45300134	75 mm	6.07
MIT-E35302115	75 mm	14.07
MIT-E35302116	75 mm	6.07
MIT-1853083	80 mm	17.01
MIT-A04600917	80 mm	15.65
MIT-A04700417	80 mm	7.31
MIT-48-7953142	85 mm	17.60
MIT-E15301215	85 mm	7.31
MIT-E35301915	85 mm	17.01
MIT-E35301916	85 mm	7.31
MIT-7953142	85 mm	17.60
MIT-1853057	90 mm	18.87

ROD U-SEALS

Part Number	Rod Diameter	List Price
MIT-91254-06600	22 mm	\$ 5.57
MIT-A04600911	45 mm	7.65
MIT-A04600912	50 mm	10.24
MIT-A04600914	65 mm	11.97
MIT-A04600915	70 mm	11.76
MIT-A04700415	70 mm	6.07
MIT-7953042	75 mm	15.46
MIT-A04600918	75 mm	14.30
MIT-C45300134	75 mm	6.07
MIT-E35302115	75 mm	14.07
MIT-E35302116	75 mm	6.07
MIT-1853083	80 mm	17.01
MIT-A04600917	80 mm	15.65
MIT-A04700417	80 mm	7.31
MIT-48-7953142	85 mm	17.60
MIT-E15301215	85 mm	7.31
MIT-E35301915	85 mm	17.01
MIT-E35301916	85 mm	7.31
MIT-7953142	85 mm	17.60
MIT-1853057	90 mm	18.87

ROD U-SEALS

Part Number	Rod Diameter	List Price
MIT-1853239	90 mm	\$ 18.87
MIT-A04600925	90 mm	18.11
MIT-A04700423	90 mm	7.31
MIT-E15301116	90 mm	7.31
MIT-E85300317	95 mm	19.11
MIT-E85300318	95 mm	7.31
MIT-1853136	100 mm	20.73
MIT-A04600926	100 mm	14.47
MIT-A04700424	100 mm	8.52
MIT-94319-02400	112 mm	21.70

BUFFER RINGS

Part Number	Rod Diameter	List Price
MIT-05566-03520	35 mm	\$ 2.56
MIT-A04600815	50 mm	6.04
MIT-A04600811	65 mm	6.93
MIT-A04601014	65 mm	19.44
MIT-A04600812	70 mm	7.82
MIT-A04601015	70 mm	21.22
MIT-A04601016	75 mm	22.56
MIT-E15302312	75 mm	21.33
MIT-E85300437	75 mm	18.89
MIT-A04600813	80 mm	8.71
MIT-A04601017	80 mm	23.89
MIT-E15300372	85 mm	26.39
MIT-E85300140	85 mm	21.11
MIT-A04601024	90 mm	26.97
MIT-E85300344	95 mm	23.35
MIT-A04601025	100 mm	28.60
MIT-F15302316	100 mm	28.60
MIT-A04601018	110 mm	36.25

REPLACEMENT PARTS FOR MITSUBISHI EQUIPMENT

NOTE: Mitsubishi part numbers are used as a reference only. We do not imply that these parts are original replacement parts.

WEAR RINGS

Part Number	O.D. X Width	List Price
MIT-E85300345	100 X 9.7 mm	\$ 14.83
MIT-A04903612	110 x 6 mm	11.09
MIT-E85300420	115 X 6 mm	11.09
MIT-E85300440	115 X 7.9 mm	6.83
MIT-A04901912	120 X 30 mm	15.52
MIT-A04903613	120 x 6 mm	11.09
MIT-E85300136	120 X 7.9 mm	7.35
MIT-E85300120	120 X 8 mm	22.69
MIT-E35301921	125 X 8 mm	22.69
MIT-E85300326	130 X 7.9 mm	8.19
MIT-E85300438	130 X 8 mm	22.69
MIT-A04901915	140 X 40 mm	26.33
MIT-A04903616	140 X 8 mm	22.69
MIT-E75300323	140 X 8 mm	22.69
MIT-A04901916	150 X 40 mm	25.58
MIT-A04903617	150 X 8 mm	22.69

PISTON SEALS

Part Number	Bore Diameter	List Price
MIT-05565-07010	70 mm	\$ 15.00
MIT-A04601211	70 mm	56.00
MIT-05565-08010	80 mm	17.00
MIT-A04601213	90 mm	65.33
MIT-A04601215	110 mm	84.00
MIT-A04601311	110 mm	37.20
MIT-E85300439	115 mm	29.00
MIT-A04601216	120 mm	84.00
MIT-A04601312	120 mm	38.76
MIT-C45300229	120 mm	32.25
MIT-E85300137	120 mm	29.00
MIT-E153-00386	125 mm	35.00
MIT-E35301920	125 mm	29.83
MIT-2153243	130 mm	35.00
MIT-E85300347	130 mm	30.00
MIT-4653414	140 mm	40.36
MIT-A04601314	140 mm	52.74
MIT-E75300322	140 mm	34.20
MIT-1853063	150 mm	45.00
MIT-A04601315	150 mm	57.36
MIT-4653514	160 mm	48.50
MIT-A04601719	160 mm	65.16

BACK-UP RINGS

Part Number	Min Pkg Qty	List Price
MIT-05568-90700	1	\$ 4.56
MIT-05568-90800	1	4.61
MIT-4653425	1	7.36
MIT-4653623	1	6.77
MIT-4753177	1	12.80
MIT-94153-07300	1	5.03
MIT-A04700312	1	6.22
MIT-A04700313	1	11.51
MIT-A04700314	1	4.56
MIT-A04700315	1	4.93
MIT-A04700324	1	7.36
MIT-A04700325	1	6.31
MIT-E15301130	1	6.71
MIT-E15302093	1	4.61
MIT-E25310020	1	6.31
MIT-E35300217	1	6.77
MIT-E35300315	1	11.51
MIT-E35301917	1	4.72
MIT-E35302130	1	4.72
MIT-E75300317	1	13.52
MIT-E75300318	1	7.07
MIT-E85300321	1	6.75
MIT-E85300416	1	4.61
MIT-F15300921	1	7.36
MIT-F15301418	1	7.36

REPLACEMENT PARTS FOR MITSUBISHI EQUIPMENT

NOTE: Mitsubishi part numbers are used as a reference only. We do not imply that these parts are original replacement parts.

O-RINGS

Part Number	Min Pkg Qty	List Price
MIT-2153222	2	\$ 2.60
MIT-4753176	2	3.28
MIT-7953122	2	2.60
MIT-91254-06300	20	.23
MIT-94004-00900	5	.94
MIT-F3150-04900	7	.62
MIT-F3150-06000	5	1.16
MIT-F3150-07000	4	1.28
MIT-F3153-04000	10	.42
MIT-F3153-05000	10	.52
MIT-Z440101000	3	1.60
MIT-Z440101100	3	1.94
MIT-Z441001150	3	1.82
MIT-Z440200600	5	1.16
MIT-Z440201100	3	1.94
MIT-Z440201150	2	2.24
MIT-Z440201200	2	2.30
MIT-Z440201250	2	2.42
MIT-Z440201300	2	2.42
MIT-Z440201400	2	2.60
MIT-Z440201500	2	2.90
MIT-Z440201550	1	3.82
MIT-Z441101000	4	1.38
MIT-Z441101100	3	1.76
MIT-Z441101150	3	1.68
MIT-Z441101200	3	1.74
MIT-Z441101250	3	1.76
MIT-Z441101300	3	1.80
MIT-Z441101450	2	2.06
MIT-Z441101600	1	4.10

O-RINGS 90 DUROMETER

Part Number	Min Pkg Qty	List Price
MIT-Z440200800	3	\$ 1.60
MIT-Z441001150	3	1.82
MIT-Z441101050	3	1.68

MITSUBISHI LIFT TRUCKS

Kit Number	Code (Pg. vi)	Rod X Bore Size	List Price
MIT-91254-10330	P-U-10	22 X 45mm	\$ 29.93
MIT-91254-30330	P-U-10	22 X 45mm	26.37
MIT-91255-11120	I-U-10	22.4 X 45 mm	26.62
MIT-91273-30150	Valve Kit		3.78
MIT-91273-30220	Valve Kit		3.70
MIT-91854-15310	I-U-10	25 X 55 mm	24.00
MIT-91854-40230	P-U-10	25 X 55 mm	31.00
MIT-91872-22120	Valve Kit		5.50
MIT-94004-00120	P-UB-1	30 mm Rod Kit	24.50
MIT-94004-00130	N-N-15	63 mm Piston Kit	37.86
MIT-94104-00110	N-N-13	70 mm Piston Kit	47.42
MIT-94104-00120	P-UB-1	35 mm Rod Kit for 70 mm Bore	25.71
MIT-94104-00170	I-U-10	30 X 63 mm	34.38
MIT-94114-00110	I-U-4	50 X 70 mm	55.19
MIT-94114-00210	I-U-4	60 X 70 mm	65.10
MIT-94119-00018	I-U-1	70 mm Rod Kit	29.34
MIT-94119-00048	I-U-1	50 mm Rod Kit	13.88
MIT-94119-00068	P-U-1	32 mm Rod Kit	25.38
MIT-94119-00088	P-U-1	32 mm	26.96
MIT-94133-00018	I-N-4	40 X 50 mm	43.56
MIT-94151-00018	P-U-1	70 mm Rod Kit	31.15
MIT-94151-00028	P-U-1	70 mm Rod Kit	33.54
MIT-94162-00018	P-U-4	35 X 45 mm	28.77
MIT-94204-10120	I-U-10	35 X 70 mm	16.16
MIT-94219-00018	P-U-1	35 mm Rod Kit	10.55
MIT-94219-00028	P-U-1	35 mm Rod Kit	17.07
MIT-94251-00018	I-U-1	75 mm Rod Kit	30.58
MIT-94251-00038	P-U-1	75 mm Rod Kit	40.66
MIT-94251-00058	P-U-1	75 mm Rod Kit	31.69
MIT-94262-00028	P-U-4	40 X 50 mm	56.70
MIT-94304-00110	N-N-13	80 mm Piston Kit	52.67
MIT-94304-00120	P-UB-1	35 mm Rod Kit for 80 mm Bore	28.99
MIT-94304-10140	I-U-10	35 X 80 mm	23.29
MIT-94314-00110	I-U-1	65 X 80 mm	49.47
MIT-94319-00018	I-U-1	60 mm Rod Kit	16.04
MIT-94319-00038	I-U-1	85 mm Rod Kit	26.02
MIT-94319-00068	P-U-1	40 mm Rod Kit	11.28
MIT-94319-00088	I-U-1	40 mm Rod Kit	35.94
MIT-94351-00018	I-U-1	80 mm Rod Kit	21.35
MIT-94351-00028	P-U-1	45 X 55 mm	65.92
MIT-94351-00038	P-U-1	85 mm Rod Kit	42.93
MIT-94351-00068	P-U-1	85 mm Rod Kit	40.58
MIT-94362-00018	P-U-1	45 X 55 mm	65.92
MIT-94404-00120	P-UB-3	45 X 90 mm	38.43
MIT-94404-10140	I-U-10	40 X 80 mm	59.48
MIT-94504-02090	P-U-1	40 X 100 mm	31.88

MONARCH ROAD MACHINERY

<u>Kit Number</u>	<u>Code (Pg. vi)</u>	<u>Rod X Bore Size</u>	<u>List Price</u>
MRM-5117	I-V-1	1-1/2" ROD	\$ 8.86
MRM-5127	I-V-1	2" ROD	11.47
MRM-5137	I-V-1	2-1/2" ROD	13.31
MRM-5147	I-V-1	3" ROD	15.76
MRM-5157	I-V-1	3-1/2" ROD	20.10
MRM-5385	I-V-7	1-1/2 X 3	25.11
MRM-637405	P-OB-3	1-1/4 X 4	11.20

MORBARK

<u>Kit Number</u>	<u>Code (Pg. vi)</u>	<u>Rod X Bore Size</u>	<u>List Price</u>
MB25180-210	I-U-5	2 X 4	\$ 29.56
MB26815-053	P-U-10	1-1/4 X 2-1/2	17.85
MB26815-054	I-U-10	1-1/2 X 3	13.78
MB26815-059	I-U-10	2-1/2 X 5	23.80
MB26815-060	I-U-10	2-1/2 X 5-1/2	29.43
MB26815-061-M	I-U-10	2 X 4	24.44
MB26815-071	I-U-10	3 X 6	47.52
MB26815-071-A	I-U-10	3 X 6	43.86