

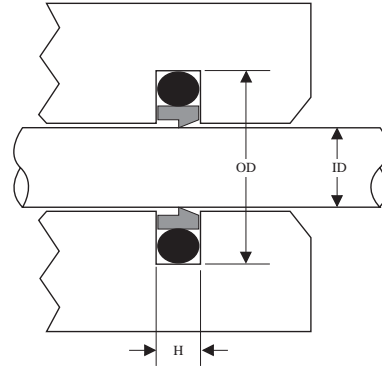
# Rod Buffer Seals







## Ordering Information

**Part Number:** Prefix - ID X OD X H

**Example:** MKR - 25 X 35.7 X 4

**Sizes and styles are in stock where prices are shown.**



<b>Styles</b>	
	<b>MKR</b>
Buffer:	Filled PTFE
Energizer:	Nitrile 70
Temperature:	-40 to +220° F
Pressure:	0 to 5000 PSI
	<b>MYR</b>
Buffer:	Urethane
Back-up:	Nylon
Temperature:	-30 to +220° F
Pressure:	0 to 7000 PSI
	<b>MIR</b>
Buffer:	Urethane
Temperature:	-65 to +220° F
Pressure:	0 to 5000 PSI
	<b>MYBR</b>
Buffer:	Filled PTFE
Energizer:	Nitrile 70
Temperature:	-40 to +220° F
Pressure:	0 to 5000 PSI
	<b>MSBR</b>
Buffer:	Nylon
Energizer:	Nitrile 70
Temperature:	-40 to +220° F
Pressure:	0 to 5000 PSI
	<b>MNBR</b>
Buffer:	Nylon/PTFE
Energizer:	Nitrile 70
Temperature:	-40 to +220° F
Pressure:	0 to 5000 PSI

ID	OD	H	MKR	MYR	MIR	MYBR	MSBR	MNBR
25.0	33.6	2.3			\$12.89			
25.0	35.7	4.0	\$ 11.89					
30.0	40.7	3.9	15.00					
30.0	41.0	2.9			1.67			
35.0	42.5	3.0	15.93					
35.0	46.0	2.9			2.56			
35.0	48.0	3.0			5.25			
40.0	48.0	3.0			5.33			
40.0	52.6	4.0	15.20					
40.0	55.5	5.9	14.40	\$ 14.40		\$ 14.40		
45.0	57.6	4.0	14.60					
45.0	60.5	5.9		10.83		14.60		
50.0	55.5	3.4-G2			10.67			
50.0	58.0	2.9			5.06			
50.0	60.0	4.5	14.00					
50.0	60.7	4.0	17.80					
50.0	62.6	4.0			6.04			
50.0	65.5	5.9	17.86	11.45				
55.0	70.5	5.9	17.86	11.50		14.40		\$ 20.63
56.0	68.6	4.0			6.25			
56.0	66.7	4.0	17.86					
56.0	70.0	3.0			6.25			
56.0	73.0	4.8			6.05			
60.0	75.5	5.9	17.86	16.36		15.56		22.22
63.0	80.0	4.7			6.50			
65.0	78.0	4.0			6.93			
65.0	80.5	5.9	17.22	19.44		16.67		23.81
70.0	83.0	4.0			7.82			
70.0	83.5	3.0			7.37			
70.0	80.0	6.3					\$ 14.22	
70.0	84.0	3.0			7.82			
70.0	85.5	5.9	20.00	21.22		17.78		25.39
75.0	85.0	6.3					15.11	
75.0	88.0	4.0			3.28			
75.0	90.5	5.9	21.33	22.56		18.89		26.97
80.0	90.0	6.3					16.00	
80.0	93.0	4.0			8.71			
80.0	95.5	5.9	23.00	23.89		20.00		28.58

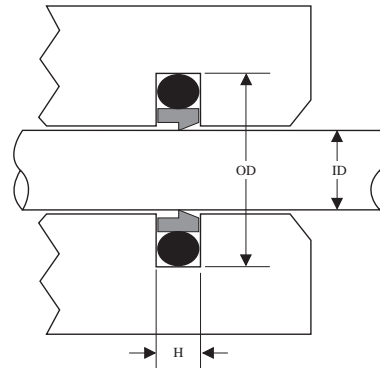
# Rod Buffer Seals

## Ordering Information

**Part Number:** Prefix - ID X OD X H

**Example:** MKR - 25 X 35.7 X 4

**Sizes and styles are in stock where prices are shown.**



## Styles



**MKR**

Buffer: Filled PTFE  
Energizer: Nitrile 70  
Temperature: -40 to +220° F  
Pressure: 0 to 5000 PSI



**MYR**

Buffer: Urethane  
Back-up: Nylon  
Temperature: -30 to +220° F  
Pressure: 0 to 7000 PSI



**MIR**

Buffer: Urethane  
Temperature: -65 to +220° F  
Pressure: 0 to 5000 PSI



**MYBR**

Buffer: Filled PTFE  
Energizer: Nitrile 70  
Temperature: -40 to +220° F  
Pressure: 0 to 5000 PSI



**MSBR**

Buffer: Nylon  
Energizer: Nitrile 70  
Temperature: -40 to +220° F  
Pressure: 0 to 5000 PSI



**MNBR**

Buffer: Nylon/PTFE  
Energizer: Nitrile 70  
Temperature: -40 to +220° F  
Pressure: 0 to 5000 PSI

ID	OD	H	MKR	MYR	MIR	MYBR	MSBR	MNBR
85.0	95.0	6.3					\$ 16.89	
85.0	100.5	5.9	\$ 26.39	\$ 25.64		\$ 21.11		\$ 30.16
90.0	100.0	6.3					17.78	
90.0	104.0	4.0			\$ 3.67			
90.0	105.5	5.9	26.97	30.94		22.22		31.74
95.0	105.0	6.3					18.67	
95.0	110.5	5.9	27.55	32.67		23.35		33.32
100.0	110.0	6.3					20.44	
100.0	113.0	4.0			8.75			
100.0	115.5	5.9	28.60	33.61		25.56		36.49
105.0	120.5	5.9	29.78	34.83		26.70		38.07
110.0	120.0	6.3					22.22	
110.0	125.5	5.9	30.61	36.25		27.80		39.68
115.0	130.5	5.9	31.00			17.89		41.26
120.0	130.0	6.3					23.11	
120.0	135.5	5.9	31.15	39.36		28.90		43.68
125.0	140.5	5.9	31.50					
130.0	145.5	5.9	31.75	61.11		20.12		44.43
140.0	155.5	5.9	32.06	99.50				
150.0	165.5	5.9	33.84					
160.0	175.5	5.9	34.83					
170.0	185.5	5.9	42.80					
180.0	195.5	6.0		196.78				